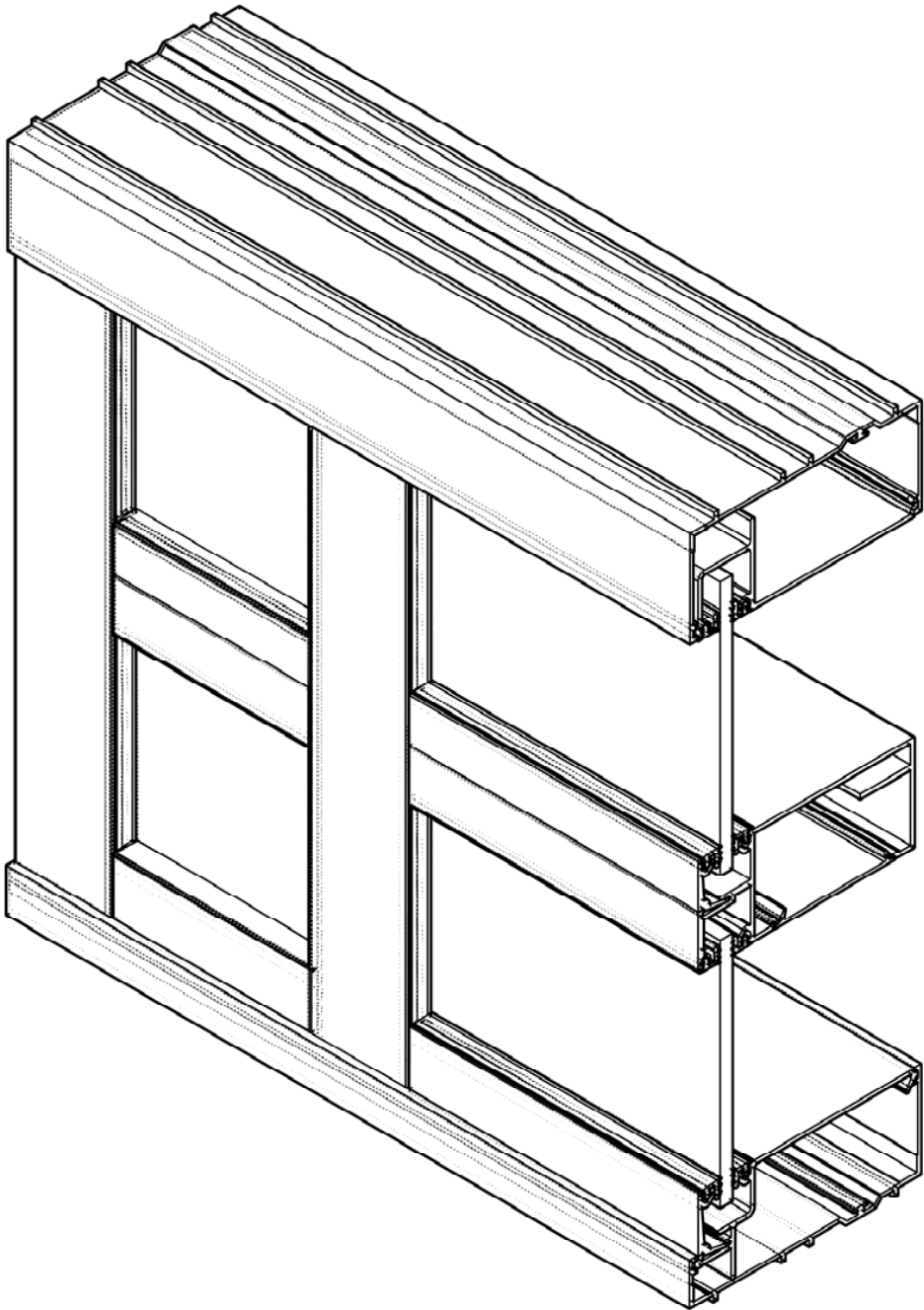


OFFSET GLAZING INSTALLATION INSTRUCTION

SERIES 401 OFFSET CAPTURED (1 3/4" x 4")



SERIES 401 OFFSET SYSTEM

TABLE OF CONTENTS

GENERAL NOTES.....	Sheet 2 and 3
FRAME FABRICATION	Sheet 4 -6
FRAME INSTALLATION	Sheet 6 -8

INSTALLATION INSTRUCTIONS

GENERAL NOTES

HANDLING, STORAGE AND PROTECTION OF ALUMINUM

The following precautions are recommended to protect the material against damage. Following these precautions will help ensure early acceptance of your products and workmanship.

A. HANDLE CAREFULLY

All aluminum materials at job site must be stored in a safe place well removed from possible damage by other trades. Cardboard wrapped or paper interleaved materials must be kept dry.

B. CHECK ARRIVING MATERIALS.

Check for quantity and keep records of where various materials are stored.

C. KEEP MATERIAL AWAY FROM WATER, MUD AND SPRAY.

Prevent cement plaster or other materials from damaging the finish.

D. PROTECT THE MATERIALS AFTER ERECTION.

Protect erected frame with polyethylene or canvas splatter screen. Cement, plaster, terrazzo, other alkaline solutions and acid based materials used to clean masonry are harmful to the finish. ***If any of these materials come in contact with the aluminum, IMMEDIATELY remove with water and mild soap.***

*The rapidly changing technology within the architectural aluminum products industry demands that **PRL Aluminum** reserve the right to revise, discontinue or change any product line, specification or electronic media without prior written notice.*

GENERAL INSTALLATION NOTES

RECOMMENDED GUIDELINES FOR ALL INSTALLATIONS:

1. **REVIEW CONTRACT DOCUMENTS.** Check shop drawings, installation instructions, architectural drawings and shipping lists to become thoroughly familiar with the project. The shop drawings take precedence and include specific details for the project. Note and field verified notes on the shop drawings prior to installing. The installation instructions are of general nature and cover most conditions.
2. **INSTALLATION.** All materials are to be installed plumb, level and true.
3. **BENCH MARKS.** All work should start from benchmarks and/or column lines as established by the architectural drawings and the general contractor with guaranteed accuracy. Working from these datum points and lines determine:
 - a) The plane of the wall in reference to offset lines provided on each floor.
 - b) The finish floor lines in reference to benchmarks on the outer building columns.
 - c) Mullion spacing from both ends of masonry opening to prevent dimensional build-up of daylight opening.
4. **FIELD WELDING.** All field welding must be adequately shielded to avoid any splatter on glass or aluminum. Results will be unsightly and/or structurally unsound. Advise general contractor and other trades accordingly. All field welds of steel anchors must receive touch-up paint (zinc chromate) to avoid rust.
5. **SURROUNDING CONDITIONS.** Make certain that construction, which will receive your materials, is in accordance with the contract documents. If not, notify the general contractor in writing and resolve differences before proceeding with work.
6. **ISOLATION OF ALUMINUM.** Aluminum to be placed in direct contact with uncured masonry or incompatible materials should be isolated with a heavy coat of zinc chromate or bituminous paint.
7. **SEALANTS.** Sealants must be compatible with all materials with which they have contact, including other sealant surfaces. Consult with sealant manufacturer for recommendations relative to joint size, shelf life, compatibility, cleaning/priming, tooling, adhesion, etc. It is the responsibility of the Glazing Contractor to submit a statement from the sealant manufacturer indicating that glass and glazing material have been tested for compatibility and adhesion with glazing sealants, and interpreting test results relative to material performance, including recommendations for primers and substrate preparation required to obtain adhesion. The chemical compatibility of all glazing materials and framing sealants with each other and with like materials used in glass fabrication must be established. This is required on every project.
8. **FASTENING.** Within the body of these instructions "fastening" means any method of securing one part to another or to adjacent materials. Only those fasteners used within the system are specified in these instructions. Due to the varying perimeter conditions and performance requirements perimeter and anchor fasteners are not specified in these instructions. For perimeter and anchor fasteners refer to the shop drawings or consult the fastener supplier.
9. **BUILDING CODES.** Due to the diversity in state/provincial local and federal laws and codes that govern the design and application of architectural products it is the responsibility of the individual architect owner and installer to assure that products selected for use on projects comply with all the applicable building codes and laws. **PRL ALUMINUM INC.** exercises no control over the use or application of its products, glazing materials and operating hardware and assumes no responsibility thereof.
10. **EXPANSION JOINTS.** Expansion joints and perimeter seals shown in these instructions and in the shop drawings are shown at normal size. Actual dimensions may vary due to perimeter conditions and/or difference in metal temperature between the time of fabrication and the time on installation. Gap between expansion members should be based on temperature at time of installation.
11. **WATER HOSE TEST.** As soon as a representative amount of the wall has been glazed (500 square feet) a water hose test should be conducted in accordance with AAMA 501.2 specifications to check the installation. On all jobs the hose test should be repeated every 500 square feet during the glazing operation.
12. **COORDINATION WITH OTHER TRADES.** Coordinate with the general contractor any sequence with other trades, which offset curtain wall installation (i.e. fire proofing, back-up walls, partitions, ceilings, mechanical ducts, converters etc.)
13. **CARE AND MAINTENANCE.** Final cleaning of exposed aluminum surfaces should be done in accordance with AAMA 609.1 anodized aluminum and 610.1 for painted aluminum.

OFFSET INSTALLATION INSTRUCTIONS

Details in these instructions are for Series 401 members.

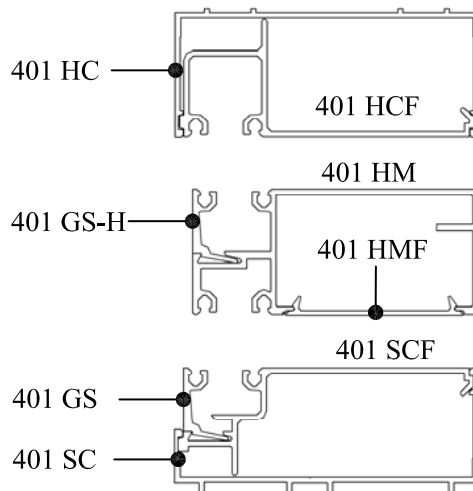
Measure ROUGH OPENING minus perimeter seal joint to determine FRAME DIMENSION.
Allow 1/4" minimum clearance for shimming and sealant around perimeter.

FRAME FABRICATION

1. Cut member to size

Head and Sill channels: (Parts 401 HC AND 401 SC)	FRAME WIDTH
Wall Jamb and Vertical: (Parts 401 WJ AND 401 VM)	FRAME HEIGHT minus 5/8"
Head and Sill fillers : (Parts 401 HCF AND 401 HM)	D.L.O. -1/32"
Horizontal members: (Parts 401 HM)	D.L.O. -1/32 "
Intermediate horizontal fillers: (Parts 401 HMF)	D.L.O. -1/32"
Horizontal glazing stop: (Parts 401 GS-H)	D.L.O. -1/32"
Sill channel glazing stop: (Parts 401 GS)	D.L.O. -1/32"

The "SKETCH 101" below show each horizontal members.



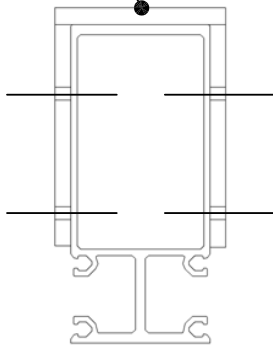
"SKETCH 101"

EXTERIOR GLAZING

2. Drill 5/16" diameter weep holes in sill channel, two per lite @ 3" from vertical mullion. Weep slots may be drilled in face or bottom of sill channel.

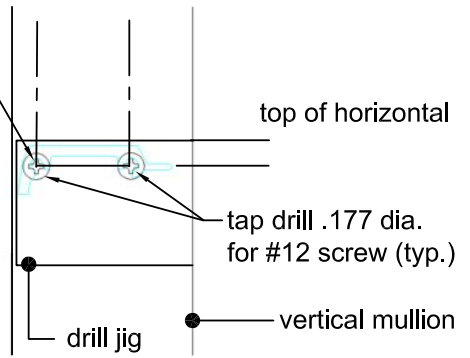
3. Mark horizontal locations on mullion and with drill jigs, drill holes for assembly screws. (See "SKETCH 101")

drill jig located
@ top of horizontal



VERTICAL SECTION

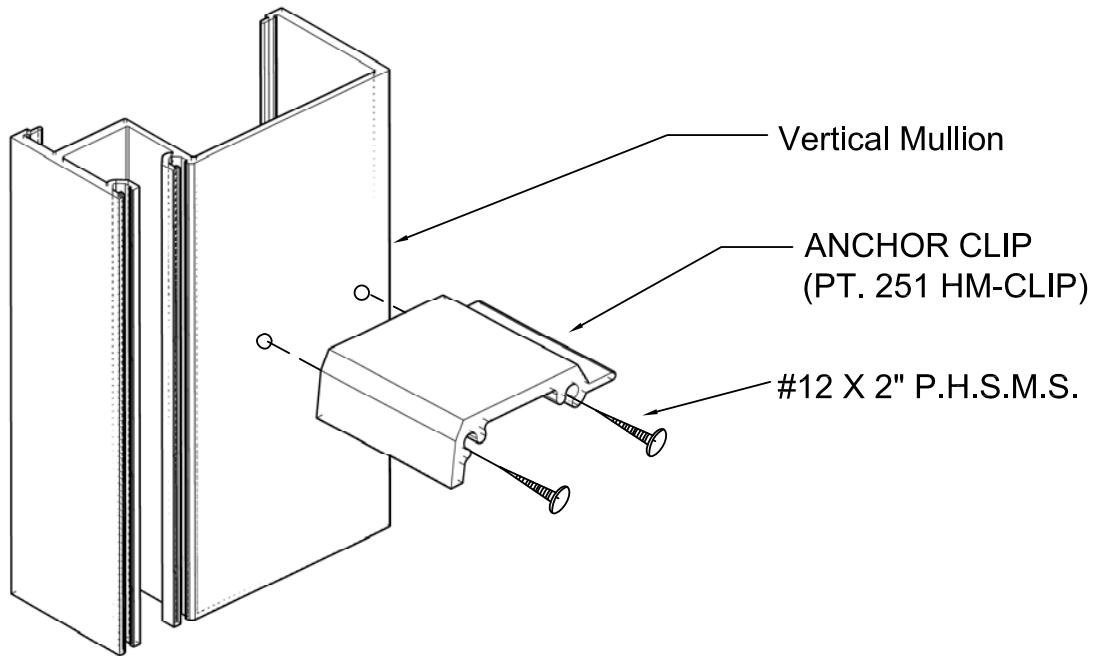
out line of
clip & horiz.



VERTICAL SIDE VIEW

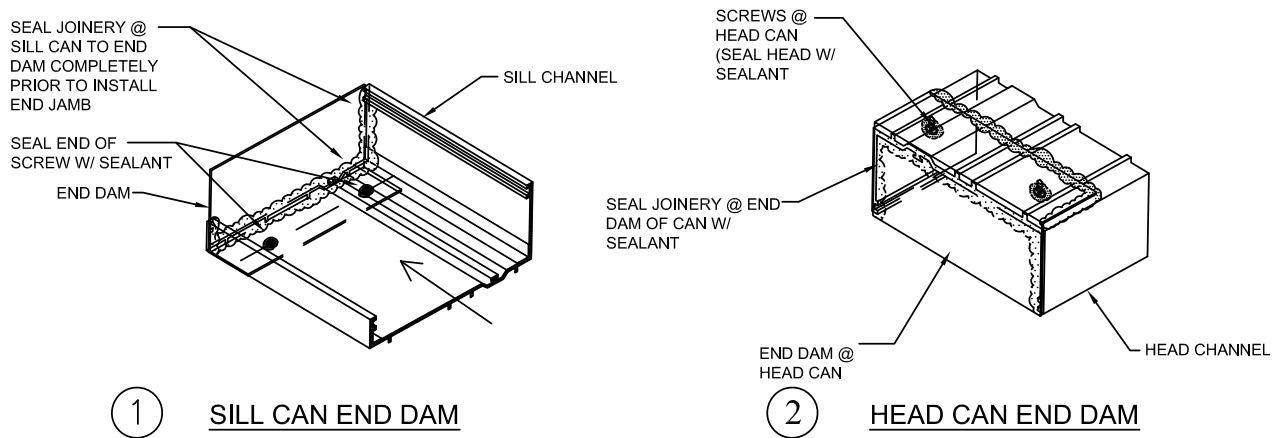
"SKETCH 101"

4. Butter end of clip (251 hm-clip) w/ sealant and attach anchor clips to vertical with screws as shown. See "SKETCH 102" below.



"SKETCH 102"

5. Apply end dams to head and sill channel at ends and secure with screws.
Seal around and up joint to make water tight. See Sketch 103 below.



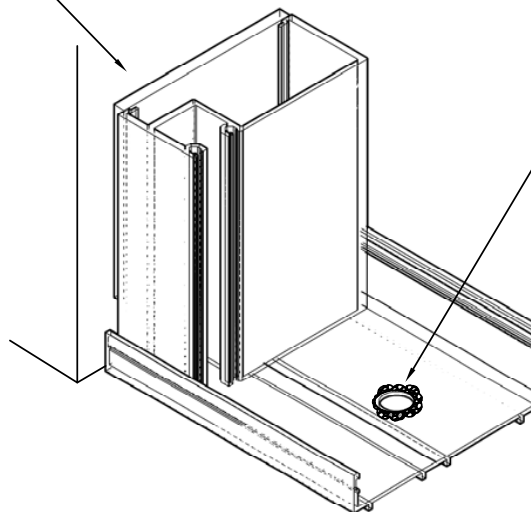
NOTE:
Clean all surfaces prior to applying sealants. See sealant manufacturer requirements.

"SKETCH 103 "

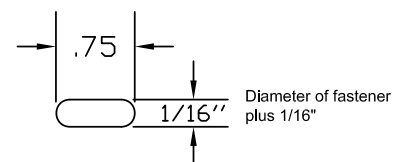
FRAME INSTALLATION

6. Set head and sill channels in place plumb and square; shim as required to level and anchor to structure. Locate fasteners 6" from end of channel and 24" o.c. or as require per engineer. Holes for fasteners should be slotted horizontally to allow for thermal movement and seal over fastener head with sealant. Hard anchor head and sill channel to structure at mid-point of cut lenght. Shim sill and head channel at fastener locations per SKETCH 105 on sheet 7. Make sure sill channel remains clean of debris during installation to prevent blockage of weep holes.

Shim as required.
Note: Do not shim behind end dam



Head and sill fasteners
NOTE:
CRITICAL SEAL area
Carefully seal over head of fasteners at sill only

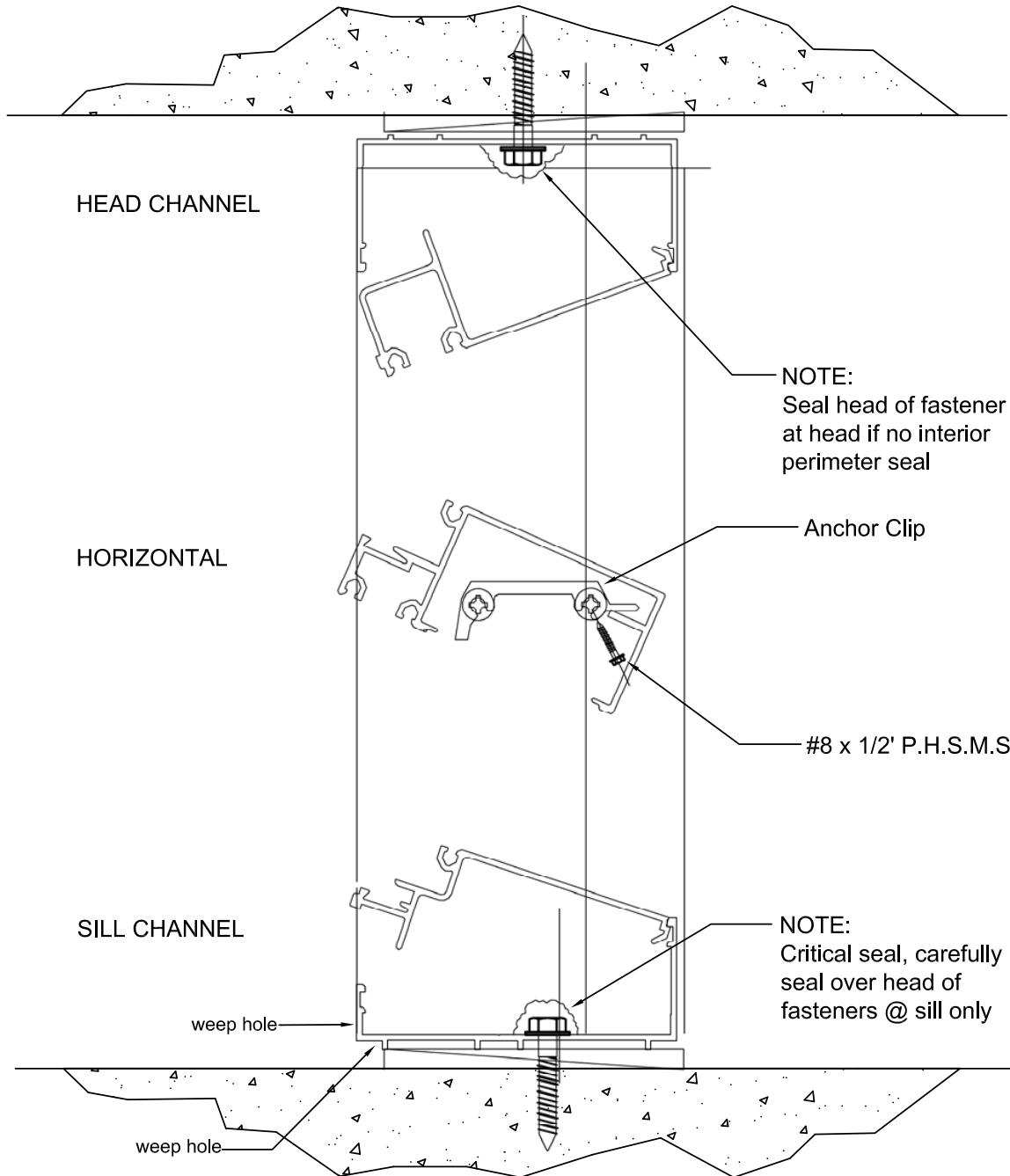


"SKETCH 104 "

5. Install wall jamb into head and sill channels. Shim and plumb as required . See "Sketch 104" above.

PRL ALUMINUM, INC.

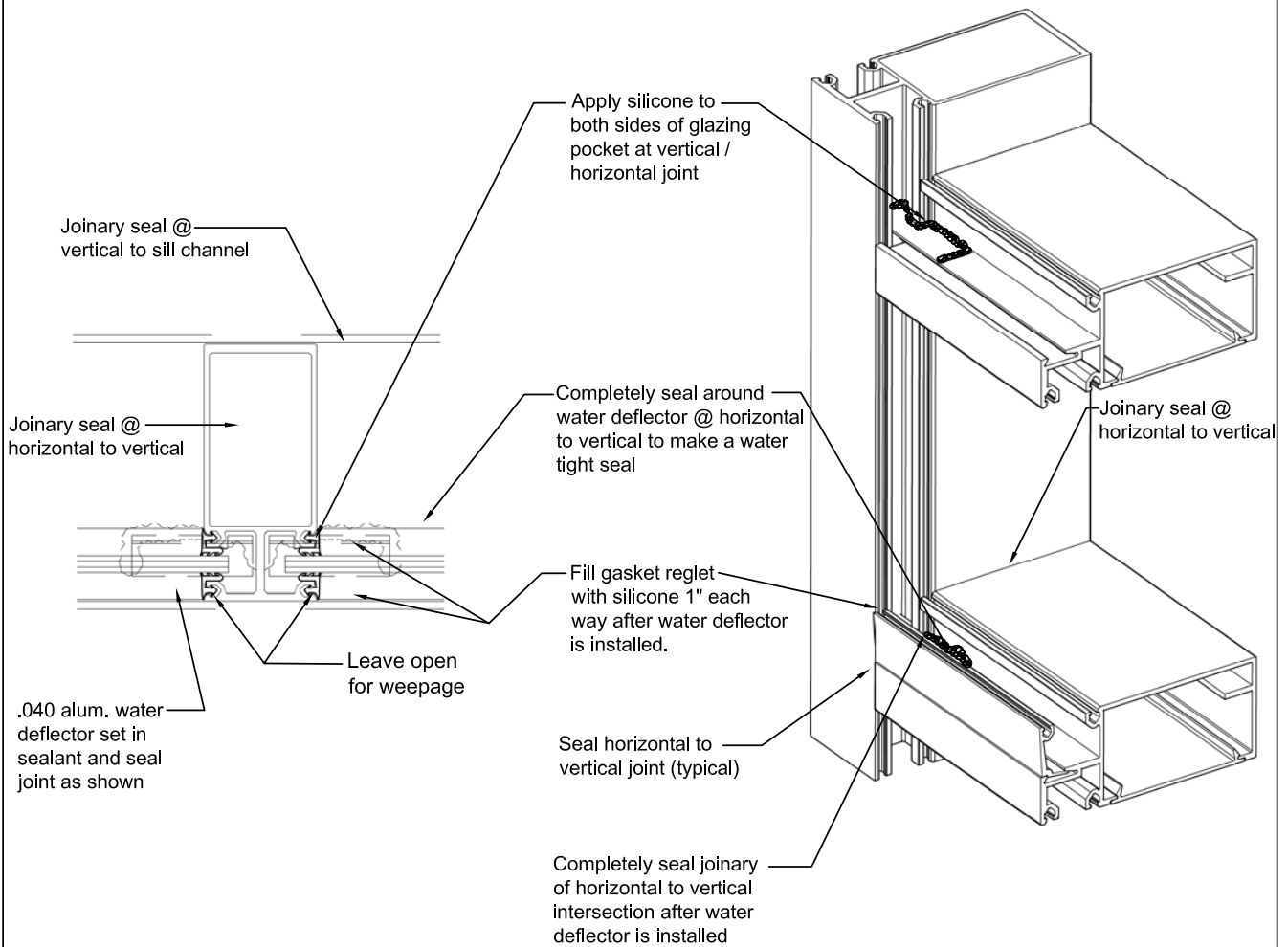
8. Snap-in head and sill fillers for the first bay.



"SKETCH 105"

9. Install next vertical tight against head and sill fillers. Never allow two shallow pockets to face each other. Seal joints where verticals meet head and sill members. Vertical mullion must be attached to head/sill channels when end reactions exceed 500lbs.
10. Snap-in head and sill fillers for the next glass bay and repeat steps 8 and 9 until all verticals head and sill inserts are installed. At the last glass bay install jamb member in place before snapping in head and sill fillers. Note: A check should be made for every four bays for tolerances.
11. Roll horizontal over anchor clip and secure with screw provided. (See Horizontal section above)

12. Apply silicone to vertical glazing pocket and gasket reglet at vertical/horizontal intersection. Silicone must be applied to two sides of pocket. Clearance at outside will allow infiltrated water to run down to subsill. See "Sketch 106" below.
13. Insert water deflectors into glazing pocket and slide them down into position. See "Sketch 106" below. Top of deflector must be flush with horizontal glazing pocket.
NOTE: Water deflectors applied @ door jambs must be sealed completely all around to prevent water from running to floor (water will drain @ opposite end.)



"SKETCH 105"

"SKETCH 106"