



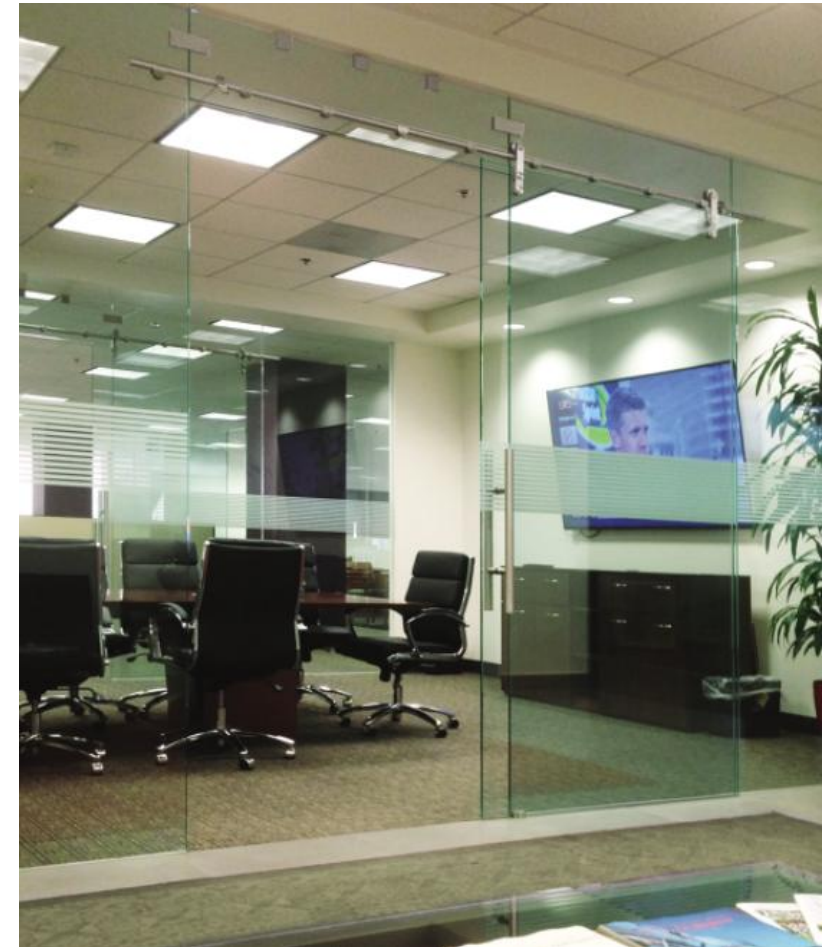
**PRL**

**GLASS  
SYSTEMS**  
[www.prlglass.com](http://www.prlglass.com)

**Aluminum  
ARCHITECTURAL PRODUCTS**  
[www.prlaluminum.com](http://www.prlaluminum.com)

**Complete Glazing Solutions**

# RUBY TOP HUNG SLIDERS

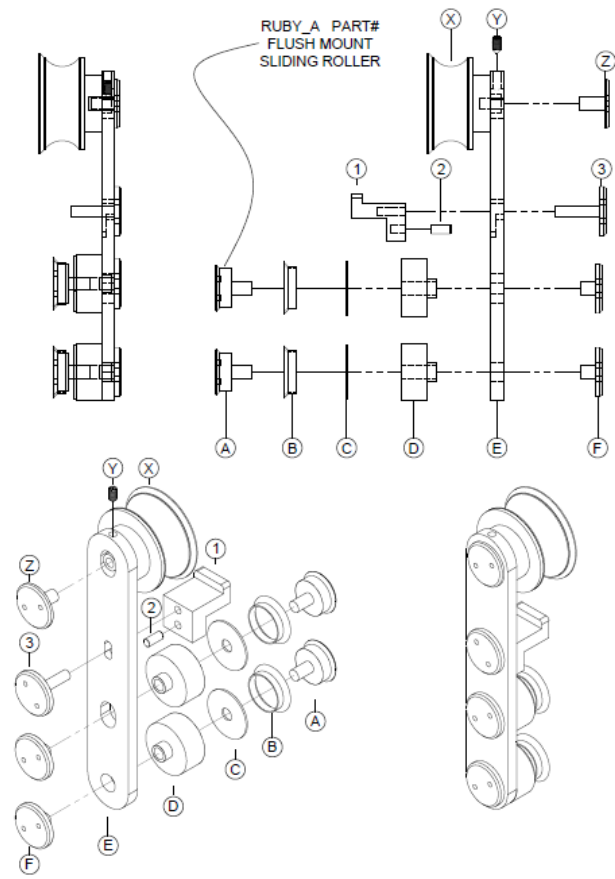
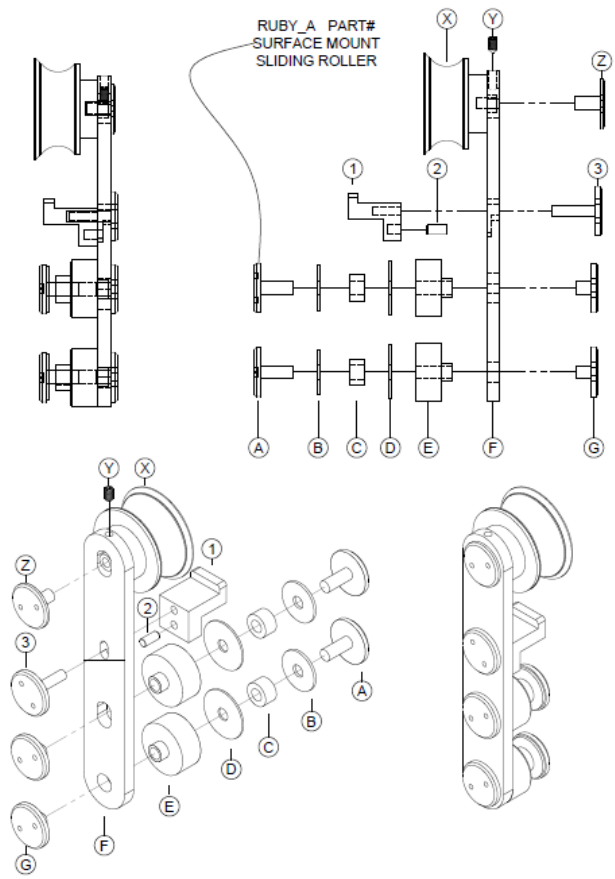


# RUBY TOP HUNG SLIDERS

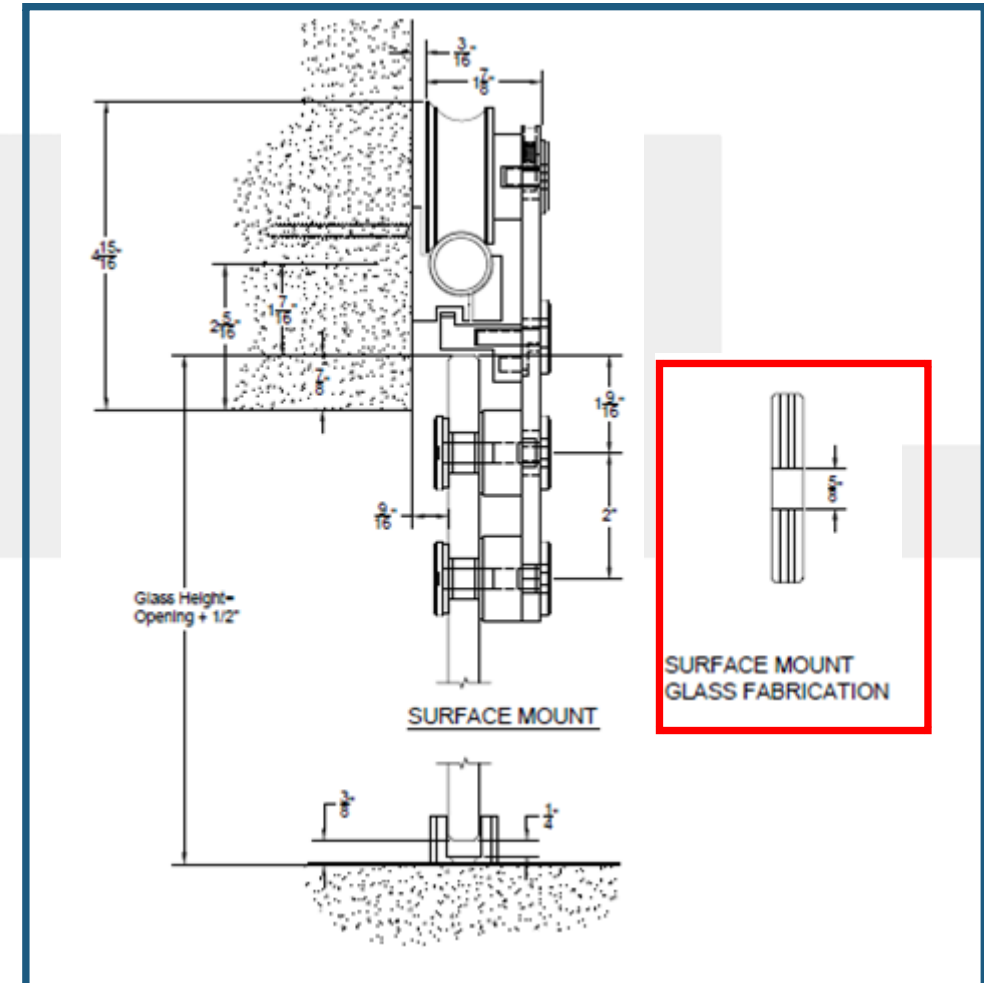
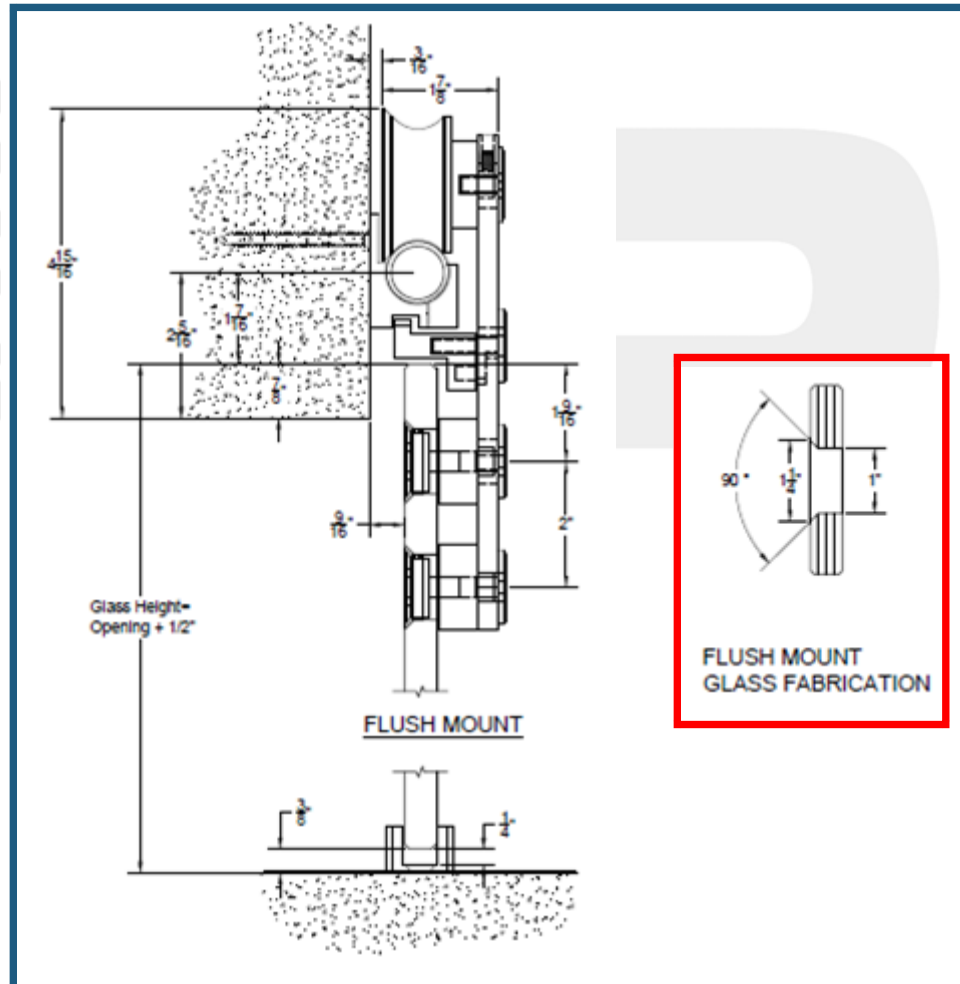
PRL's Ruby top hung sliding doors provide a modern look for an all glass interior application. The Ruby is a surface mounted system and often referred to as Barn doors. The track can either be surface mounted to the wall/ soffit of the opening or for larger entries it can mount through the glass sidelights and transom.

# STANDARD ROLLERS

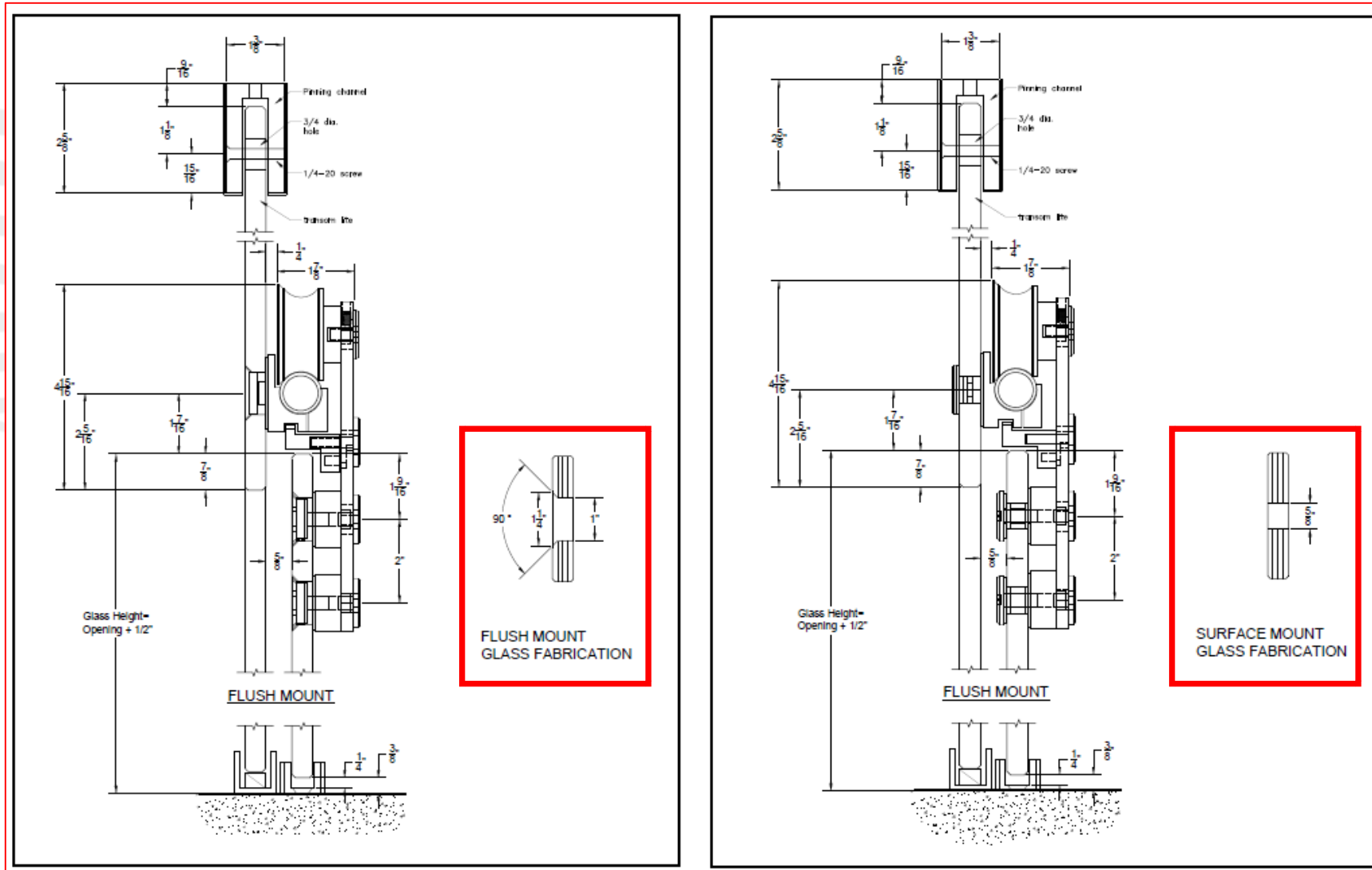
The Ruby rollers come in either a flush mount option requiring a counter sunk hole in the glass or a surface option requiring standard holes.



# GLASS FAB.- Wall Mount



# GLASS FAB.- Glass Mount



# GLASS TYPE

The Ruby system is designed to accept either 3/8" or 1/2" monolithic glass. PRL recommends if using 3/8" your opening size does not exceed 84" due to deflection concerns and therefore would only be recommended on openings where there were not transoms or sidelights



# AVAILABLE FINISHES

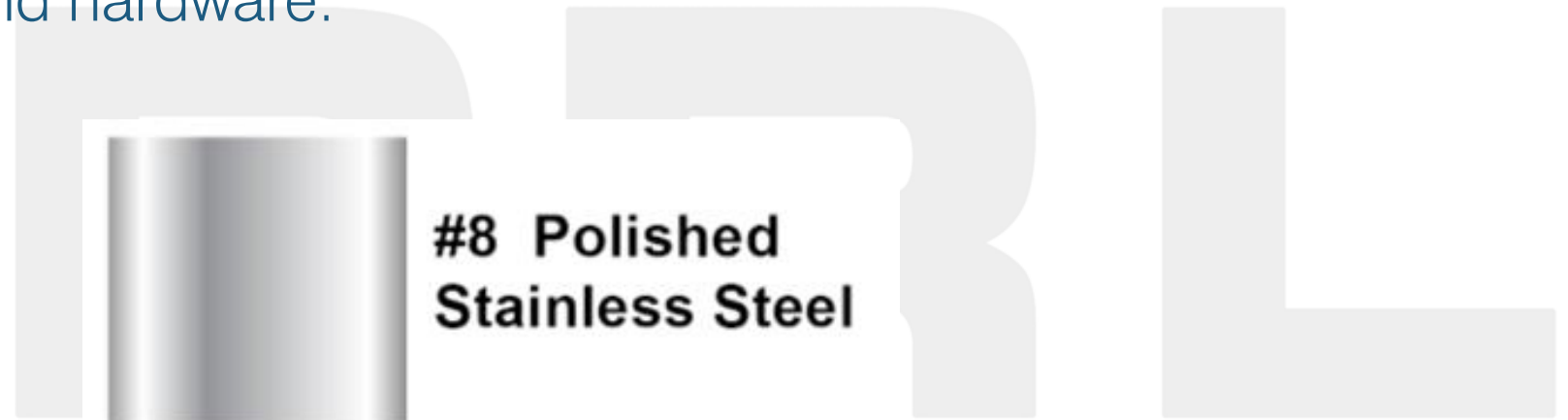
Rollers, tracks and hardware:



**#8 Polished  
Stainless Steel**



**#4 Brushed**



# AVAILABLE SET UPS

The Ruby can be used in several applications, whether it be a single slider, a slider / sidelight, or bi parting pairs.

- *X-single*
- *XX-bi-parting pair*
- *XO- single door and side*
- *OXXO-pair of doors and sidelights*

The Ruby is NOT designed to work as a “by-passing” or multi slide system due to the fact weight hangs the sliding panels alone and the bottom of door is free with an exposed bottom guide. Attempting to do design as a bi-passing application the required floor guide could become trip hazard and the bottom of bypassing doors could also sway and hit each other causing damage to the lites.



# TRACKS/ BRACKETS

PRL can supply the Ruby track in lengths up to 20' long. Tracks are hung onto the adjacent surface depending on their substrate with either glass or wall mount brackets. Each system requires the use of track mounted door stops in both the open and closed positions. In applications that have transoms it is important to note the transom lite must be mechanically fastened to the ceiling for adequate support. PRL is able to provide a 1-3/5 x 2-5/8" pinning channel which is typically run the length of the entire opening, however only the actual transom lite will require pinning.

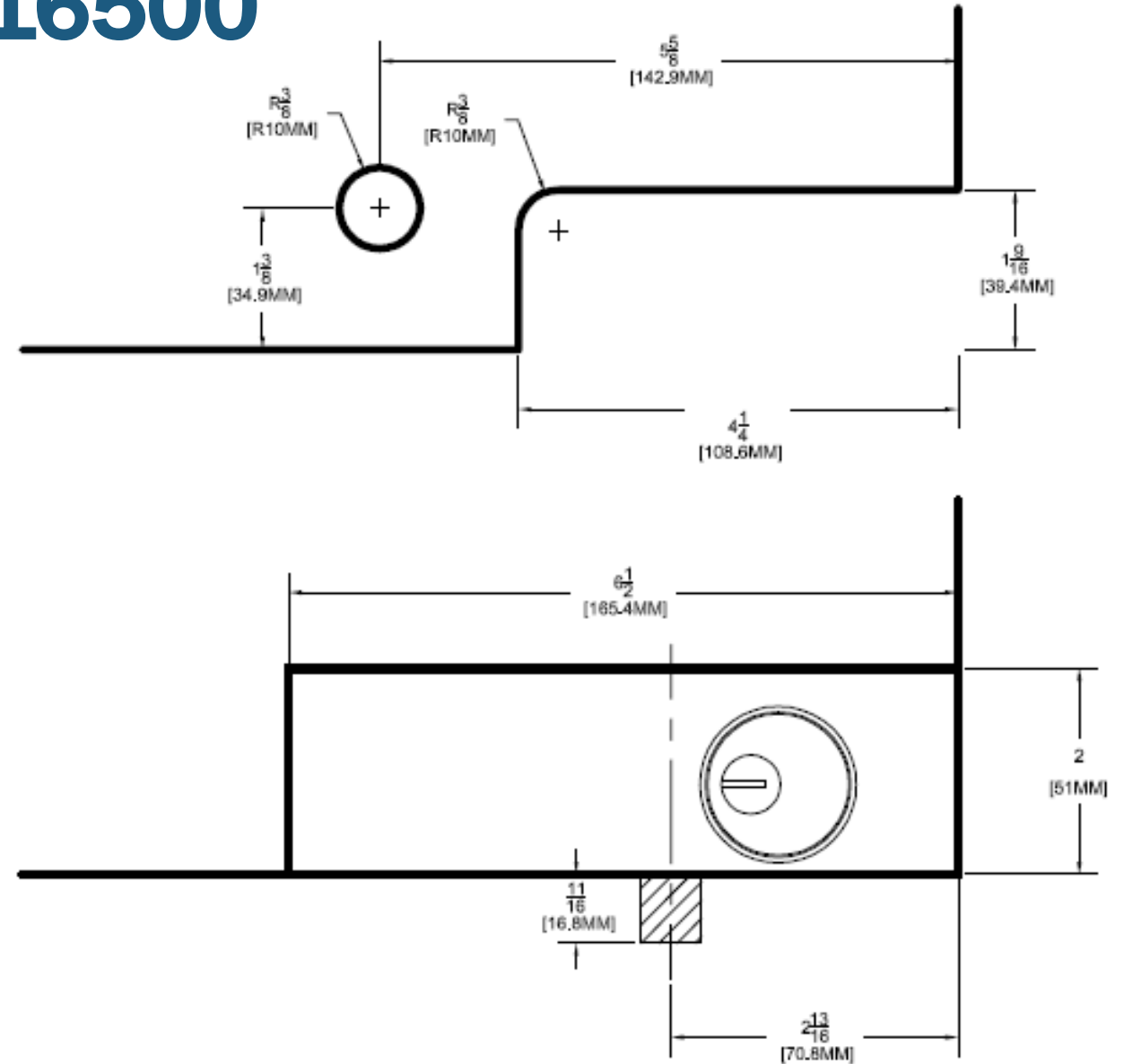
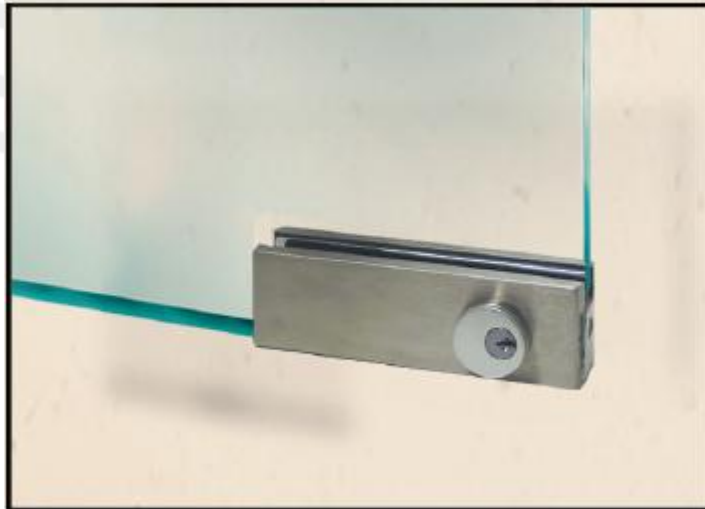
# LOCK OPTIONS:

When locks on Ruby sliders are required we must know at time of bid to assess the overall opening widths and what type of lock would best suit your applications needs and budget.

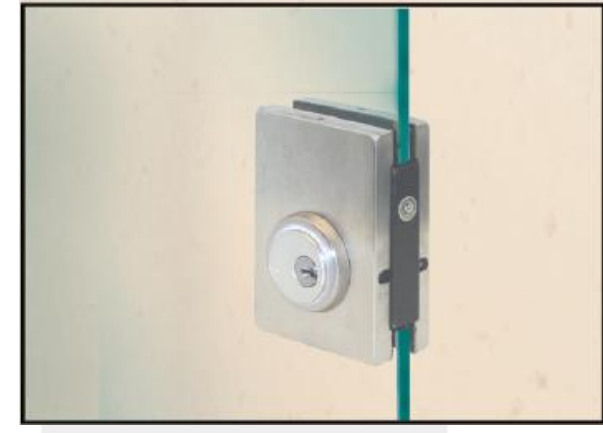
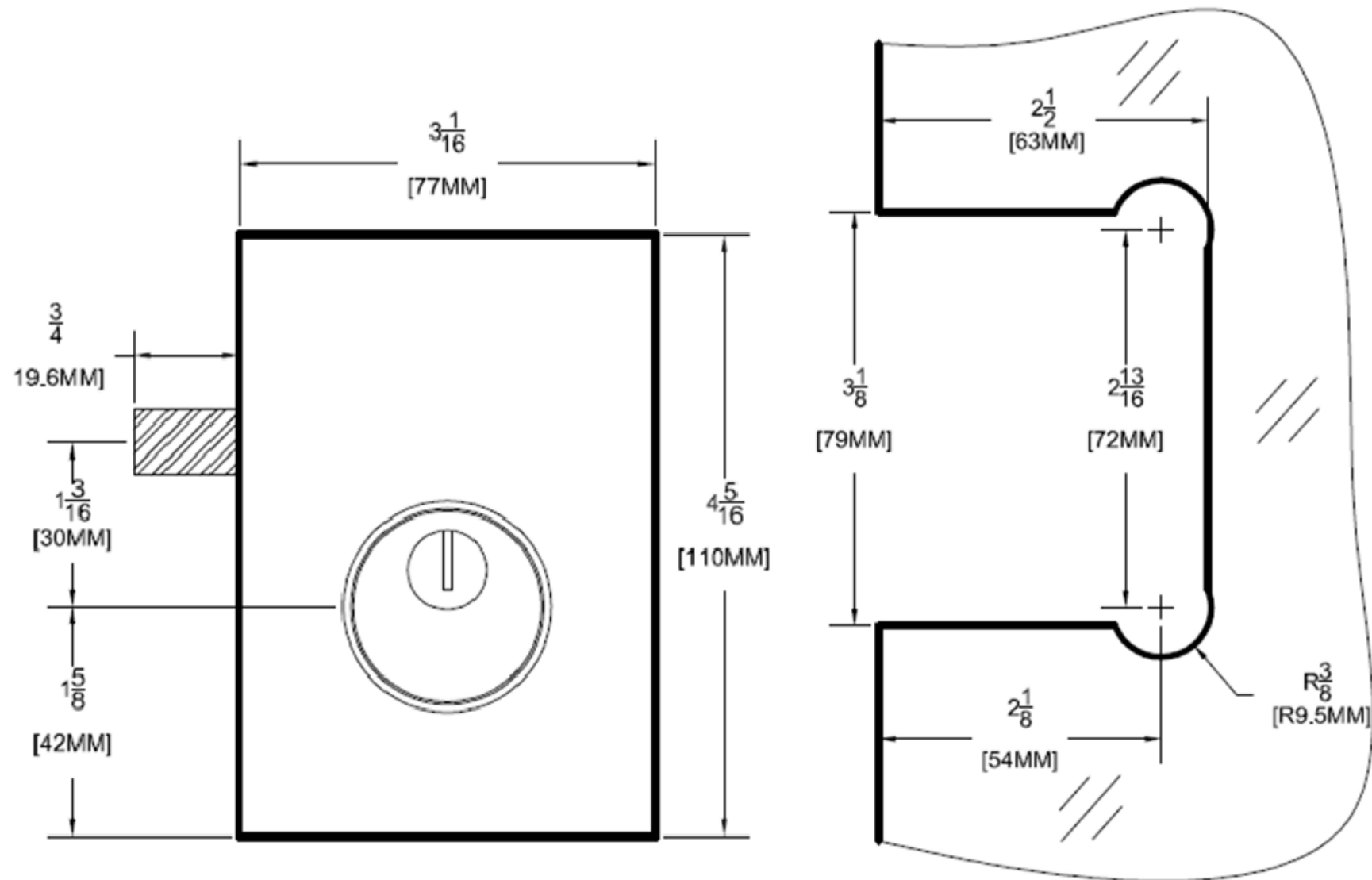
The most common type of lock would be a smaller euro type that would fit onto the bottom leading edge of the slider and strike into the floor.

For single door applications a center lock housing equipped with a hook type bolt to strike into a custom jamb. The client may also decide to go with a floor striking locking ladder pull as well. In any lock application we must review each opening width since adding a lock will impede into the overall clear opening when door is slid open to its maximum.

# LOCK OPTION- PL16500



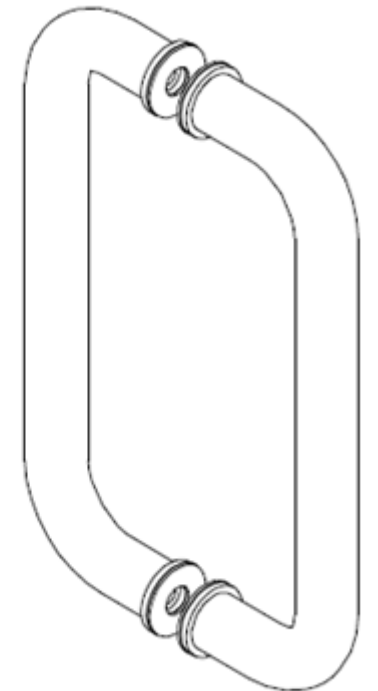
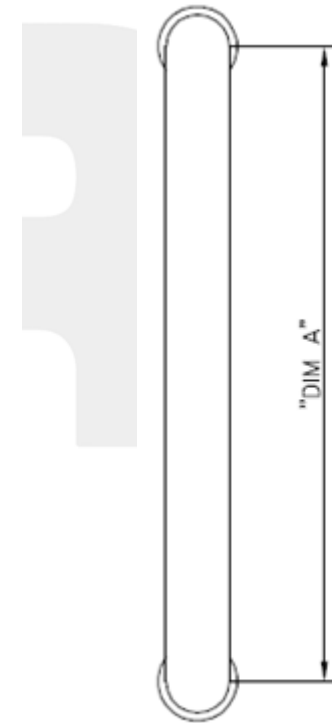
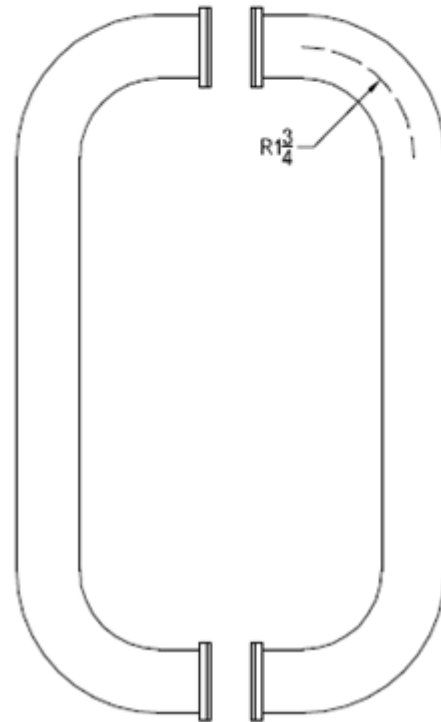
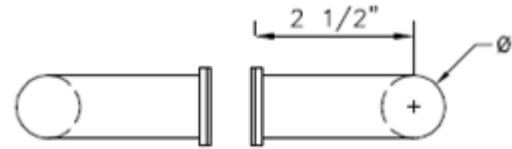
# LOCK OPTIONS- PL16300



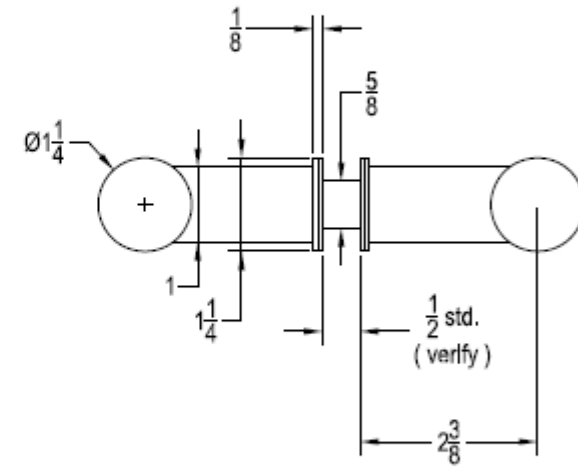
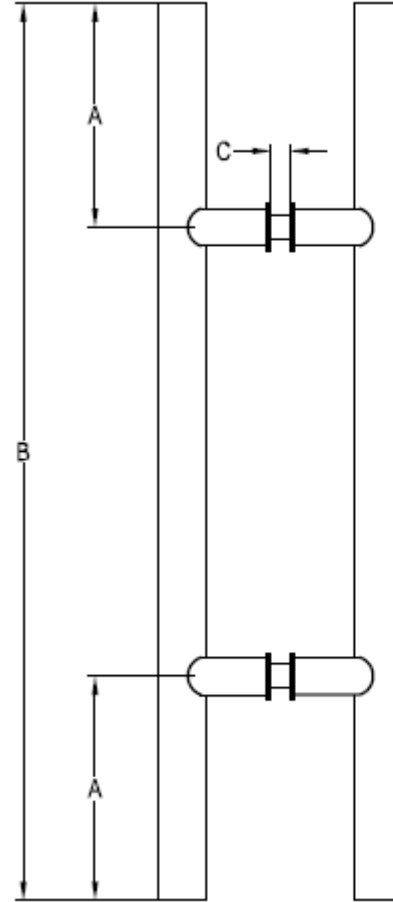
# PULLS

Ruby type systems can use a variety of handles however it is ideally recommended to use a flush type handle such as the Sliding door finger pull which will not protrude far from the face of glass to allow the sliding panel to completely slide behind the adjacent sidelight or wall. When ladder or other straight pull styles are used we simply recommend slightly widening your door opening width once considering the pulls projection and location on the door to ensure local Clear opening codes are adhered to.

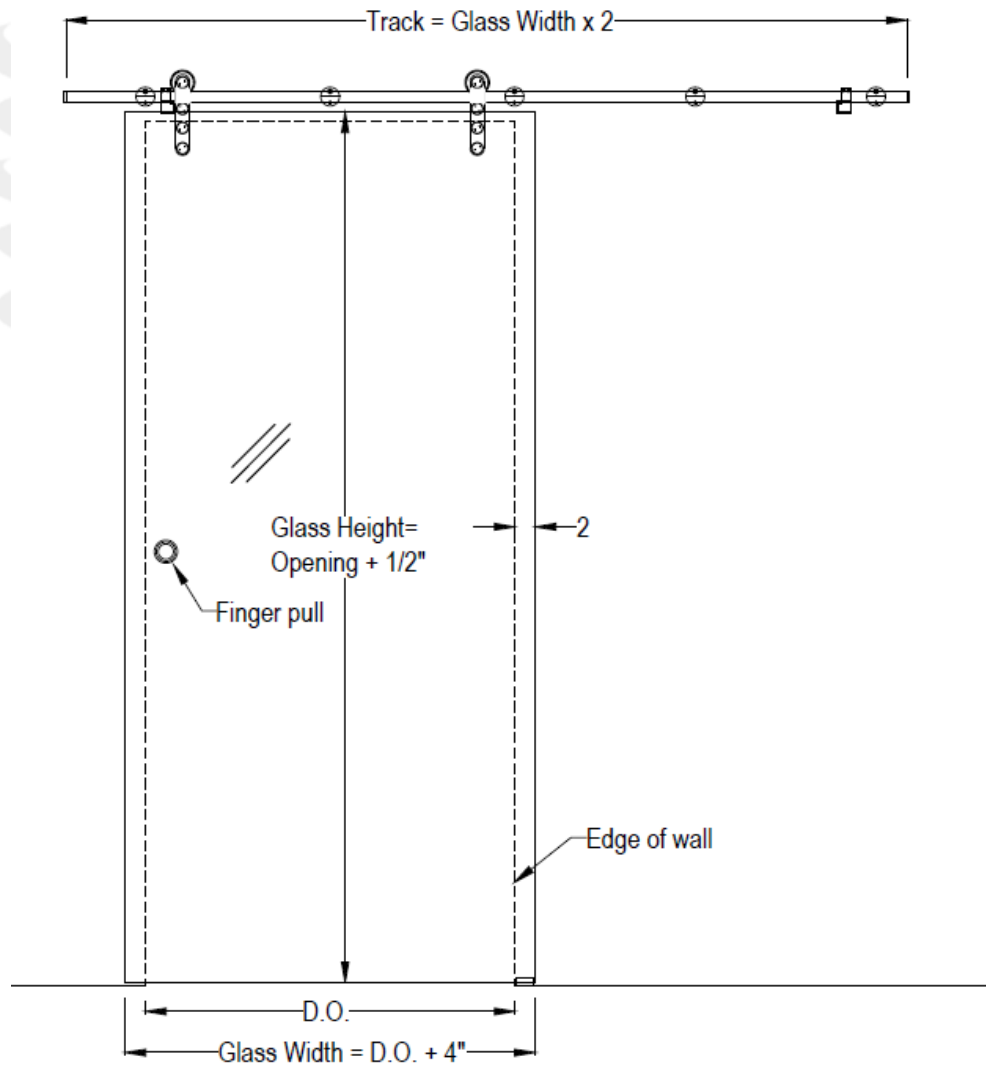
# PULLS- PL3E



# PULLS- LADDER

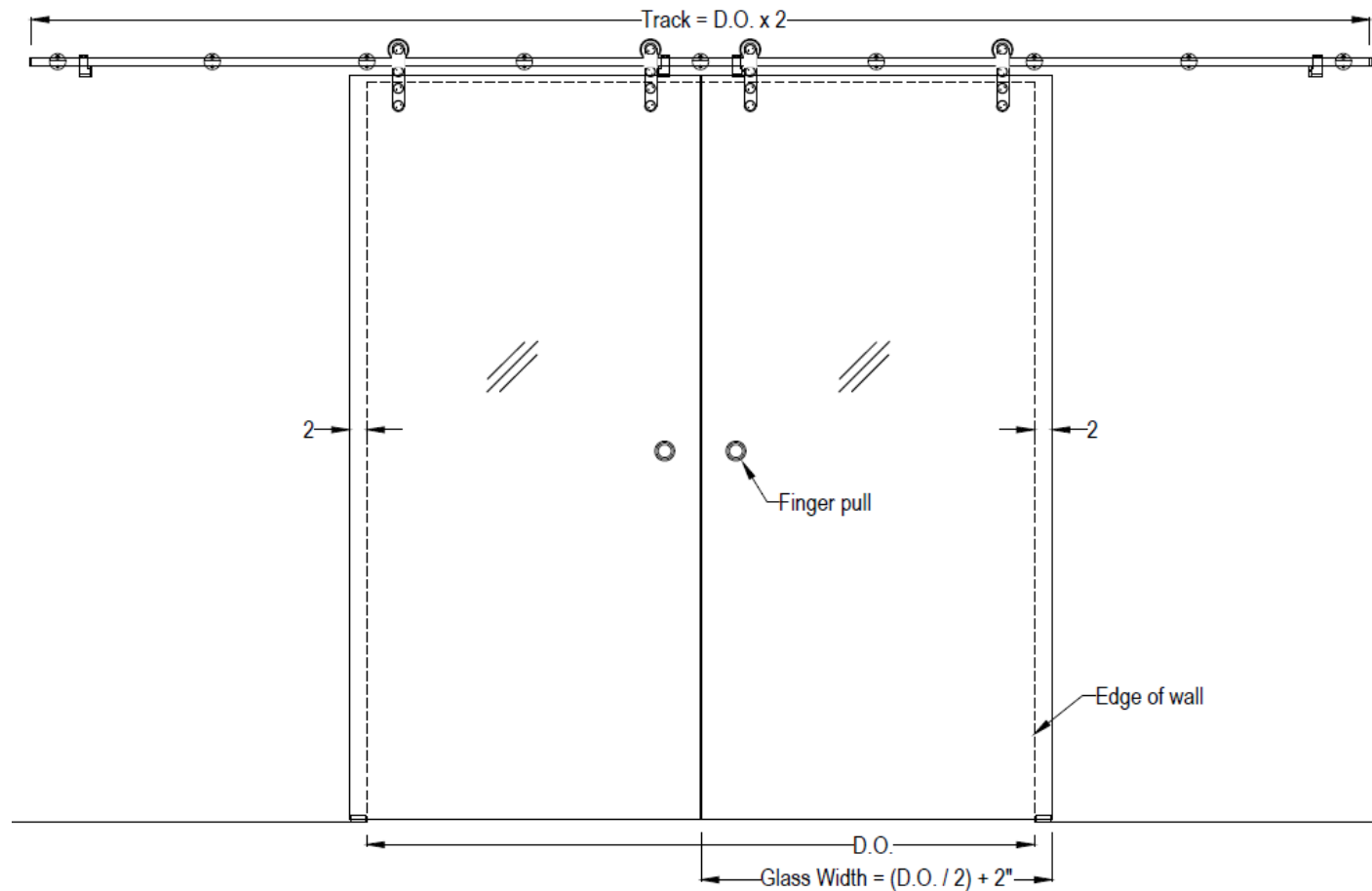


# SINGLE DOOR- WALL MOUNT

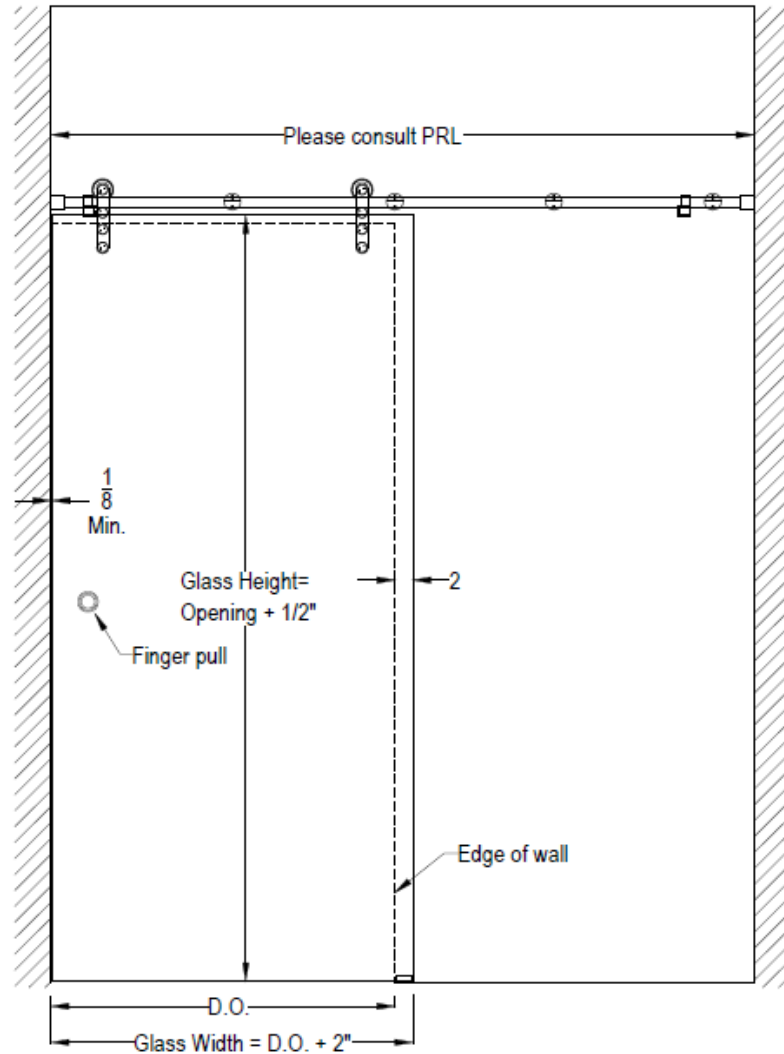




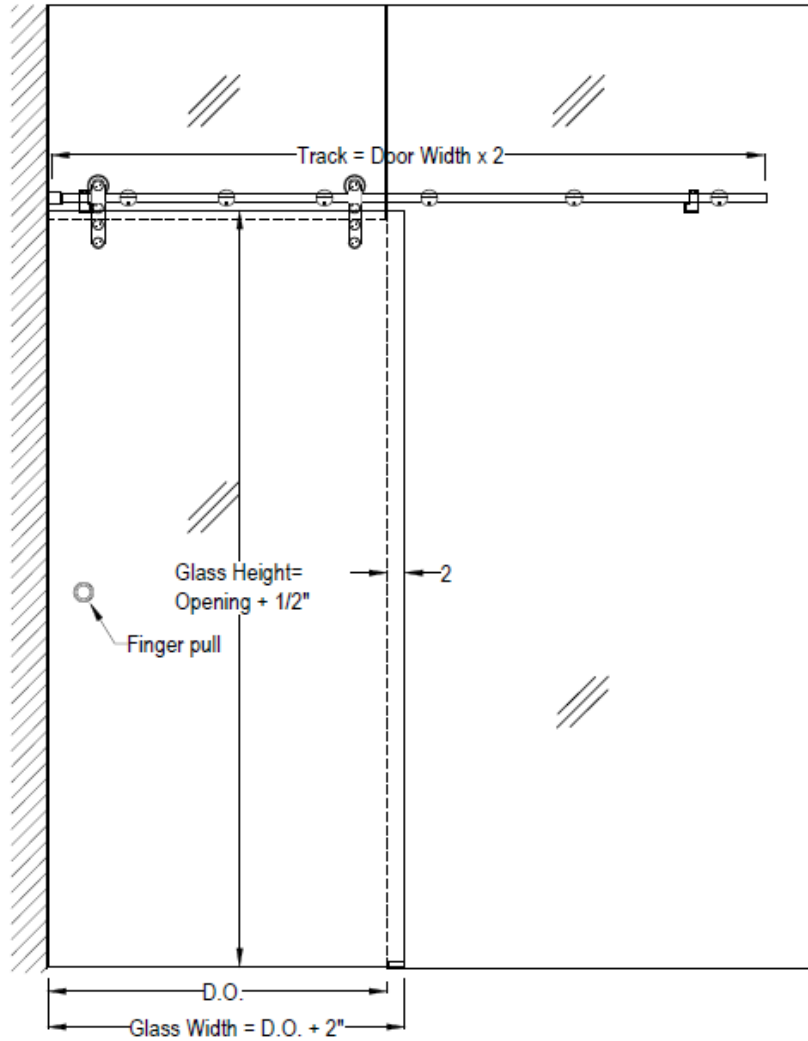
# DOUBLE DOORS- WALL MOUNT



# SINGLE DOOR- WALL TO WALL MOUNT

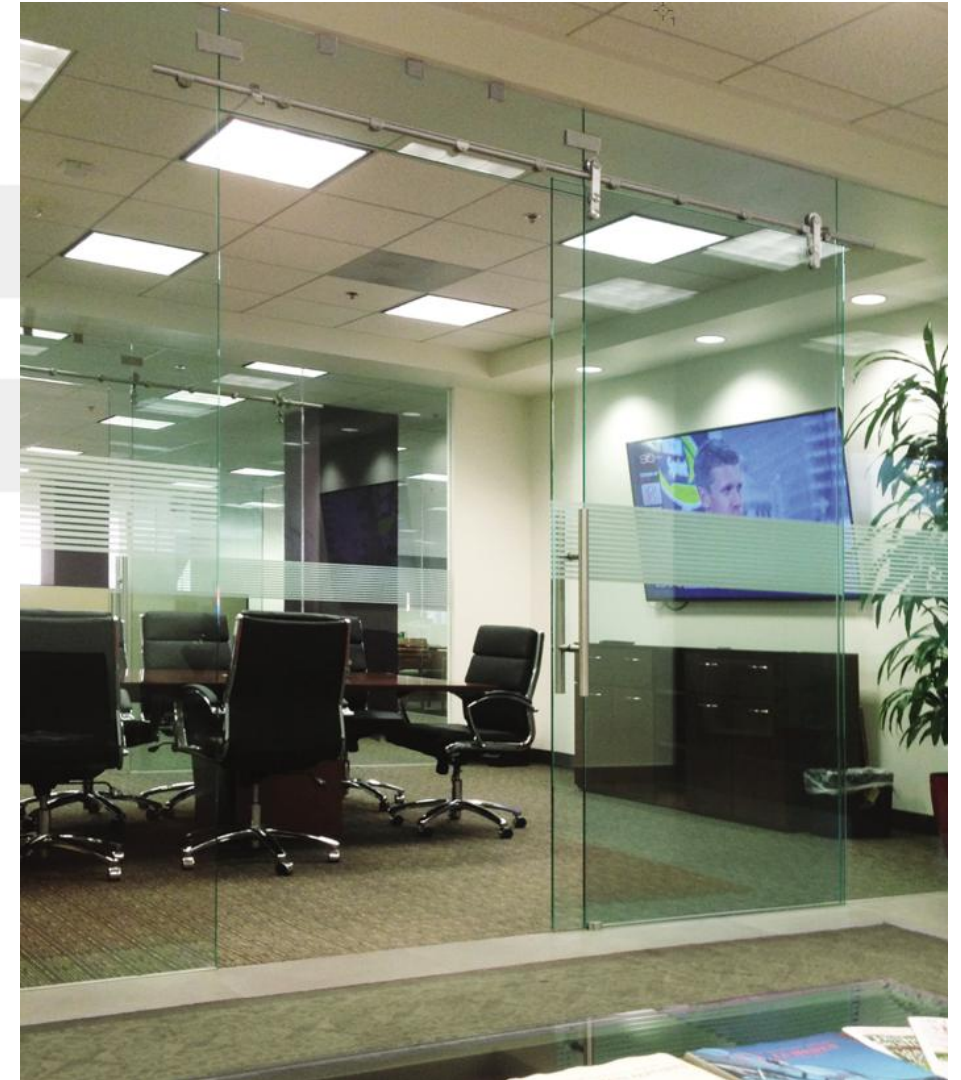
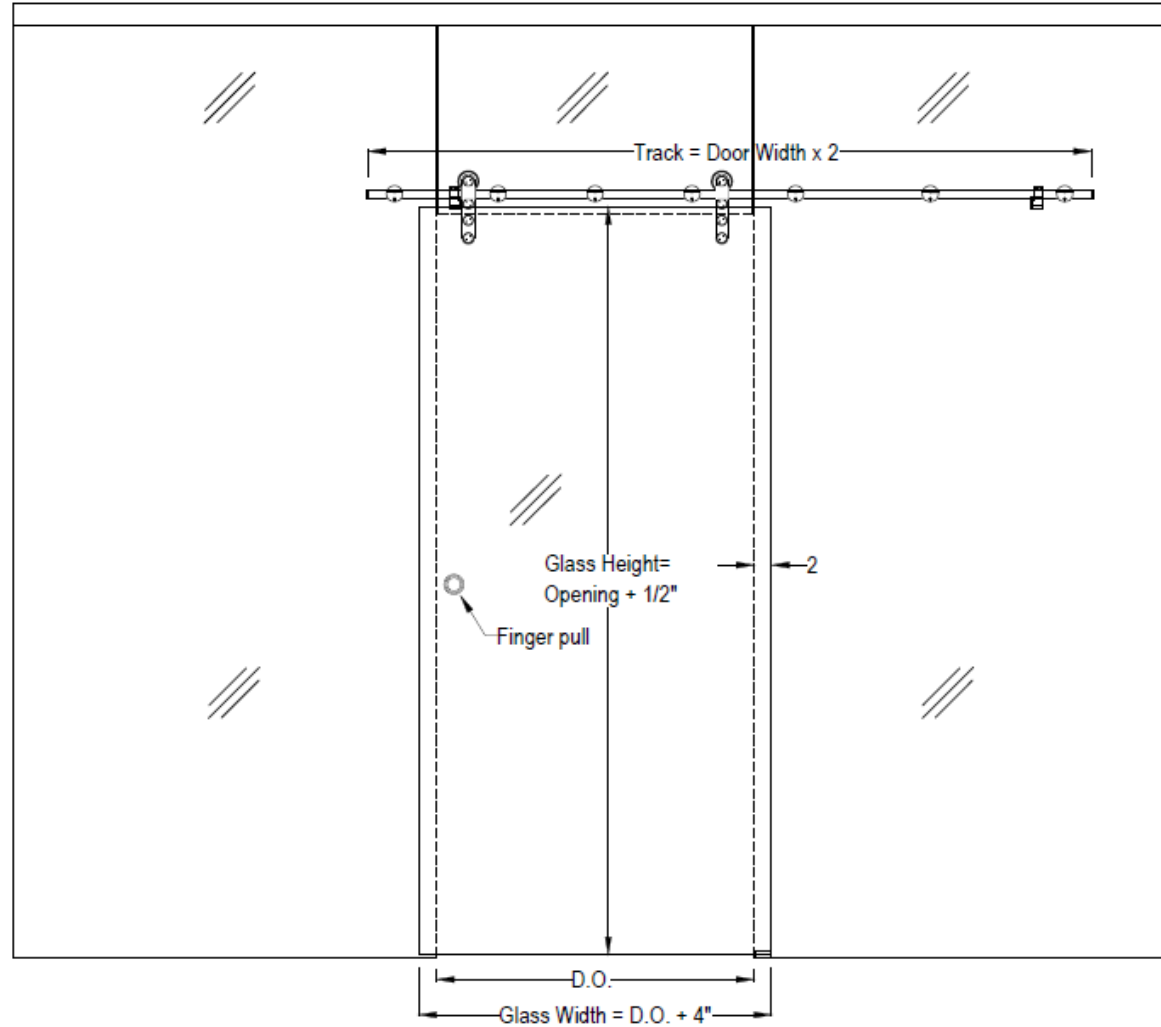


# SINGLE DOOR- WALL TO GLASS MOUNT

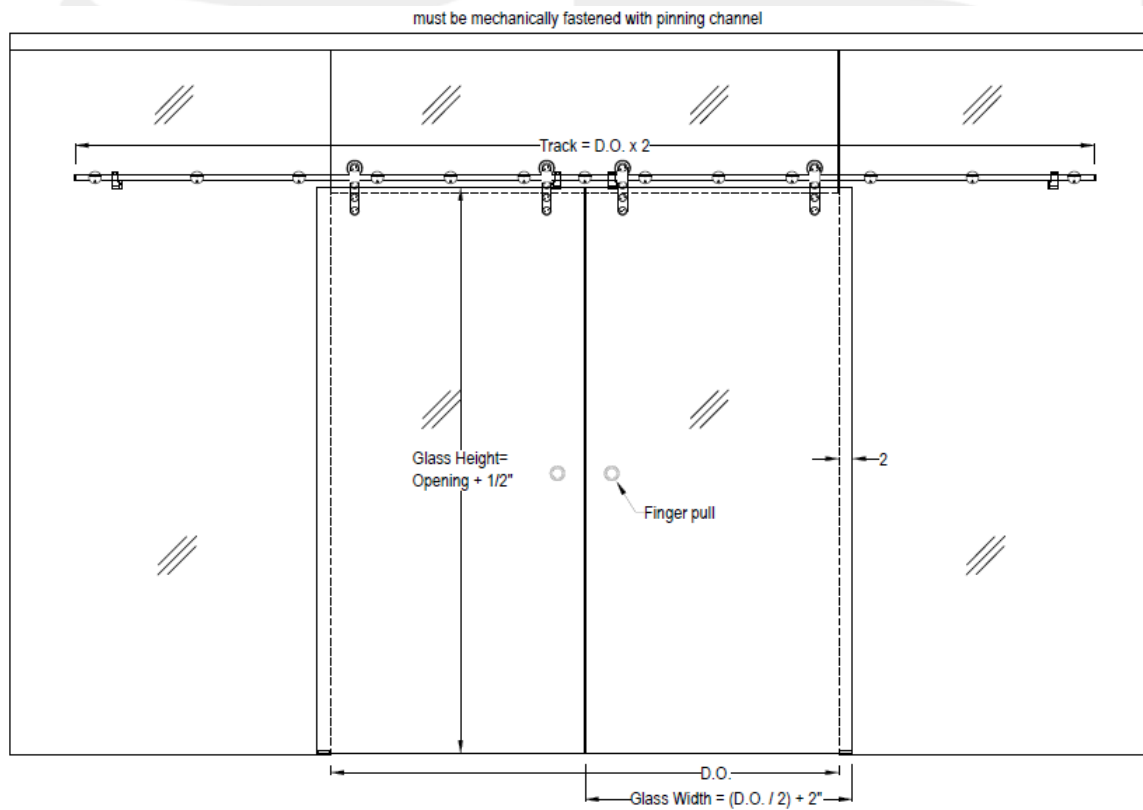


# SINGLE DOOR- GLASS MOUNT

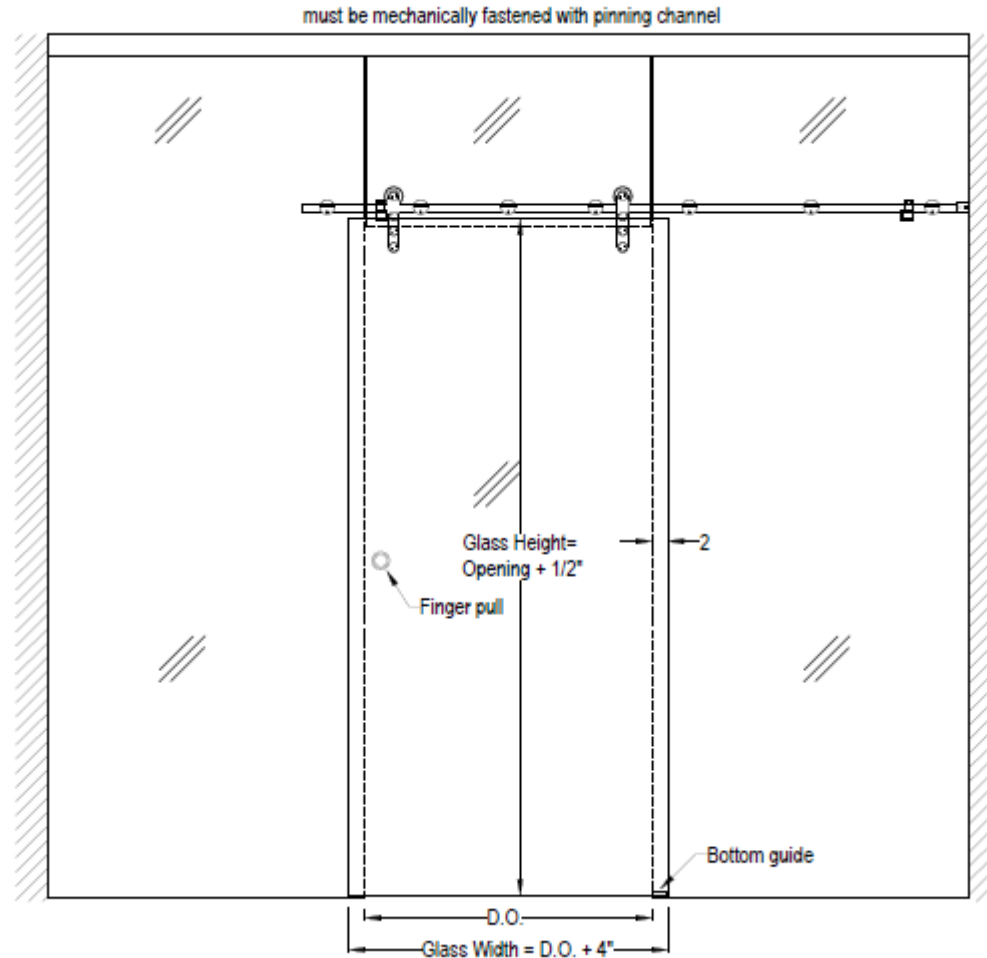
must be mechanically fastened with pinning channel



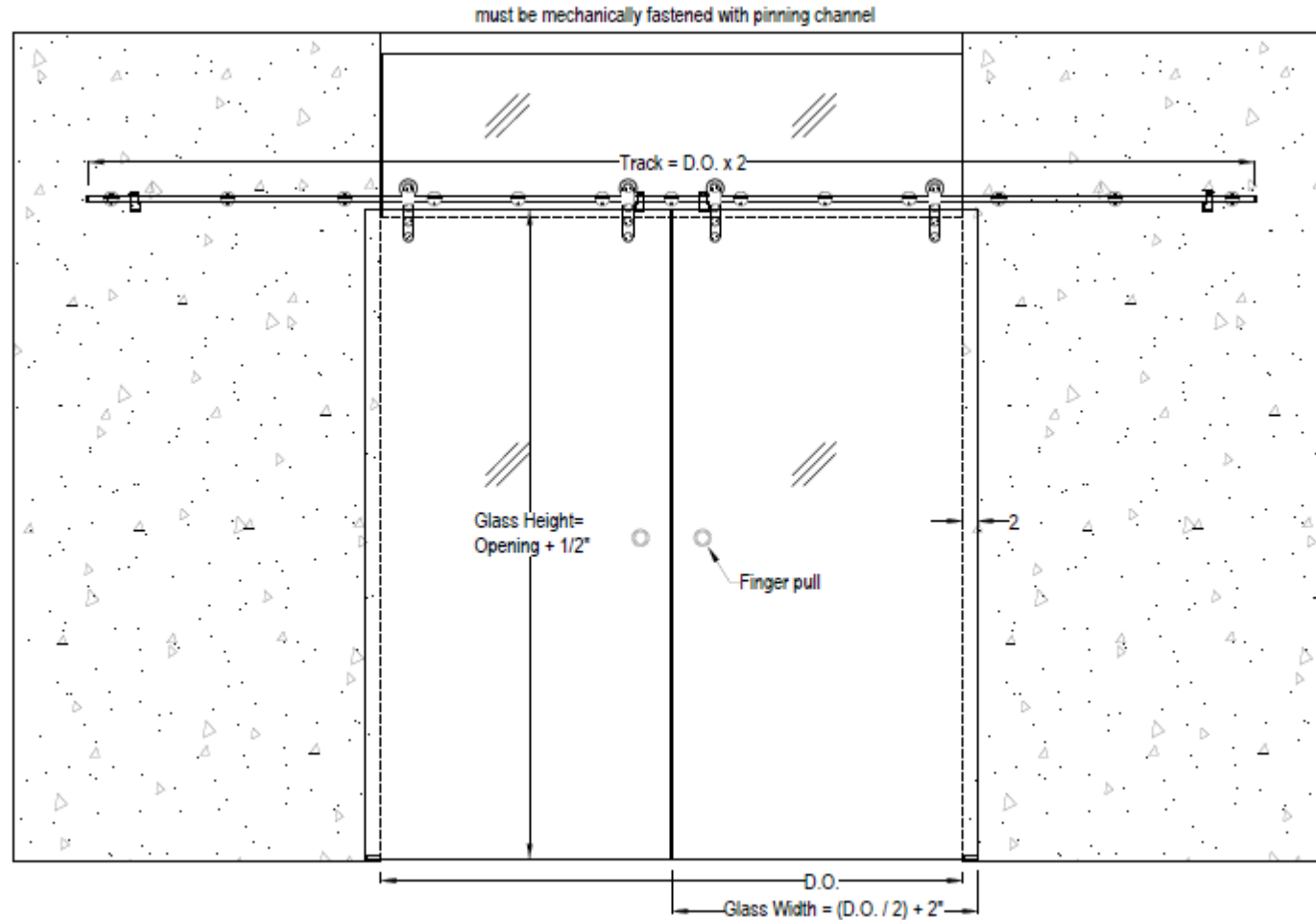
# DOUBLE DOORS- GLASS MOUNT



# SINGLE DOOR- GLASS MOUNT

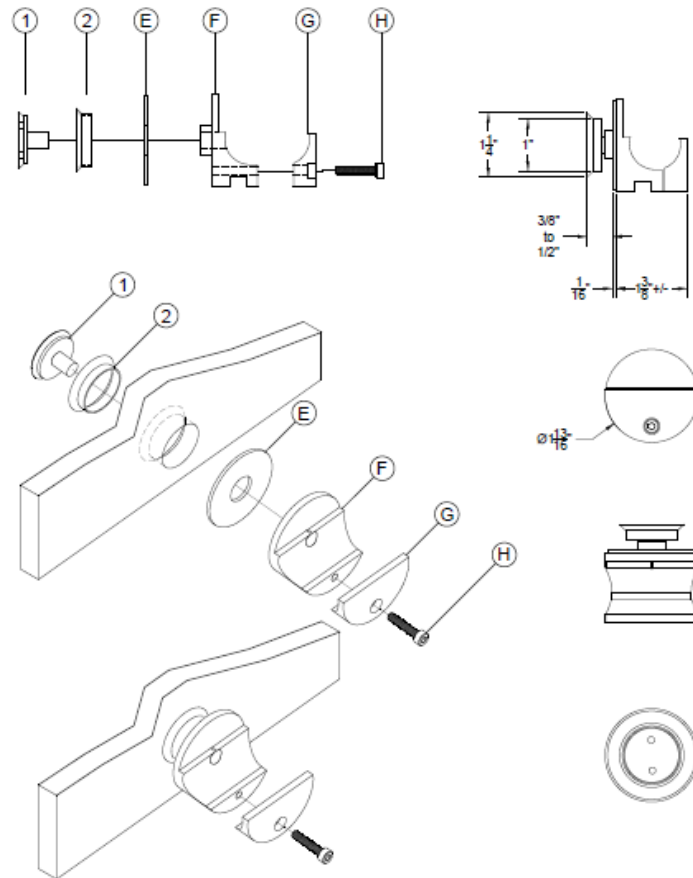


# BI-PARTING PAIR- WALL MOUNT

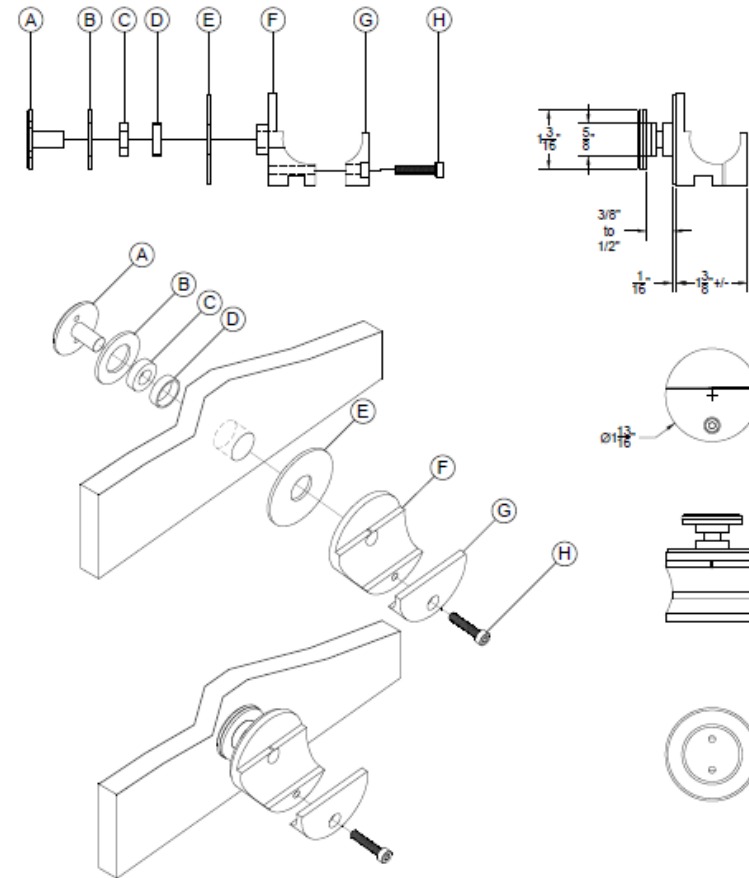


# BRACKETS

RUBY\_A PART#  
FLUSH MOUNT GLASS BRACKET



RUBY\_A PART#  
SURFACE MOUNT GLASS BRACKET



RUBY\_A PART#  
WALL MOUNT BRACKET

