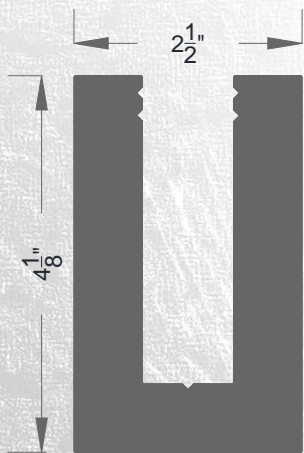




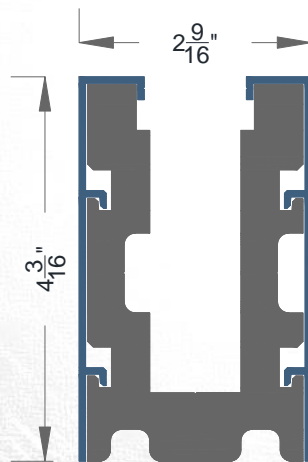
PRL

HANDRAIL SYSTEM

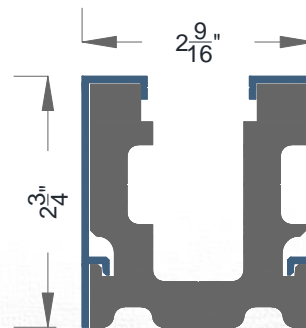
BASE SHOE TYPES



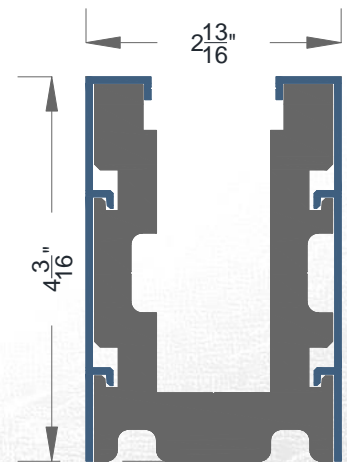
HRB
WET GLAZED
FOR 1/2" GLASS ONLY



PLDSHRB
DRY GLAZED
FOR 1/2" GLASS ONLY

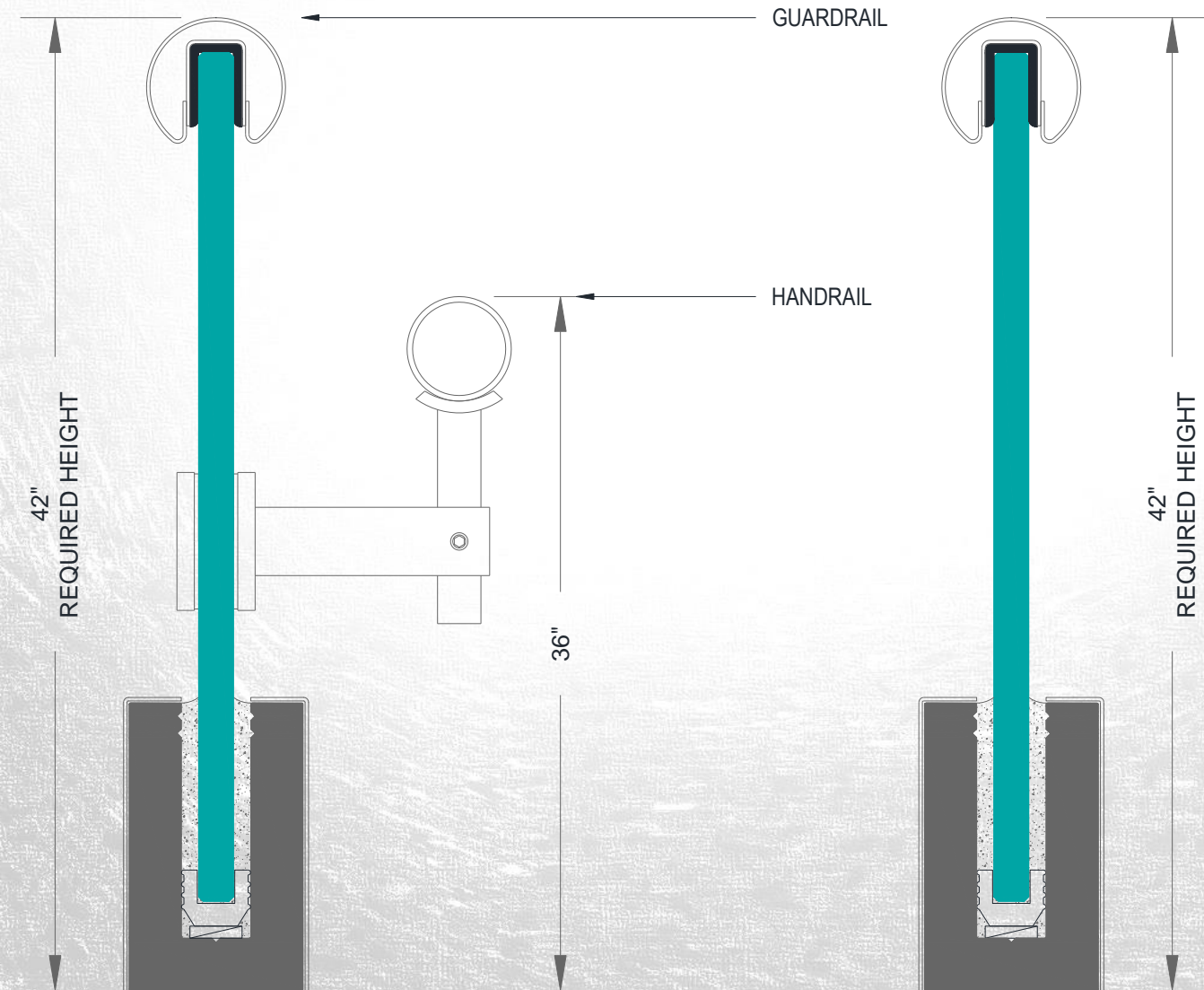


PLDSMHRB
MINI DRY GLAZED
FOR 1/2" GLASS ONLY

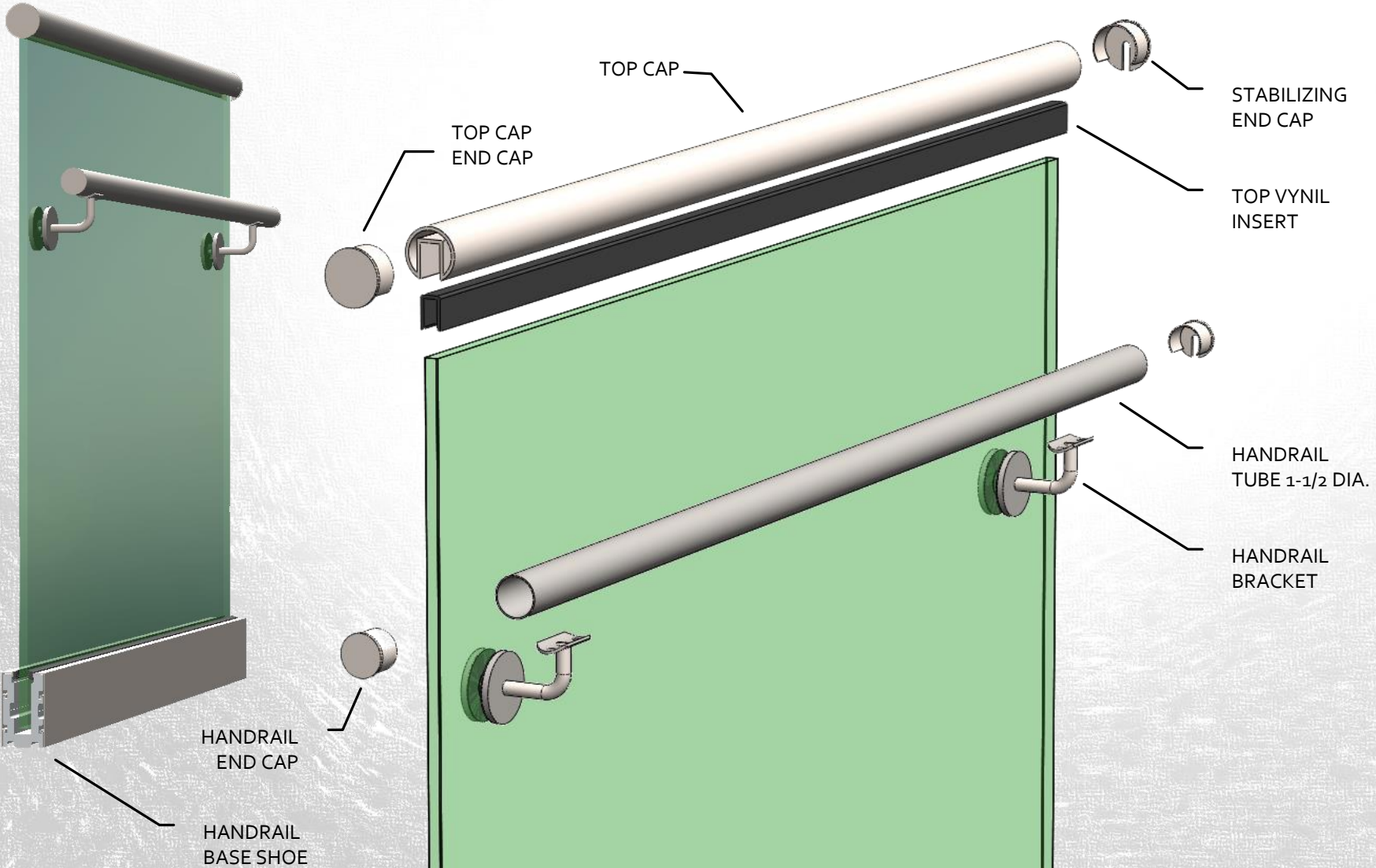


PLDSHRB75
DRY GLAZED
FOR 3/4" GLASS ONLY

GUARDRAIL VS HANDRAIL



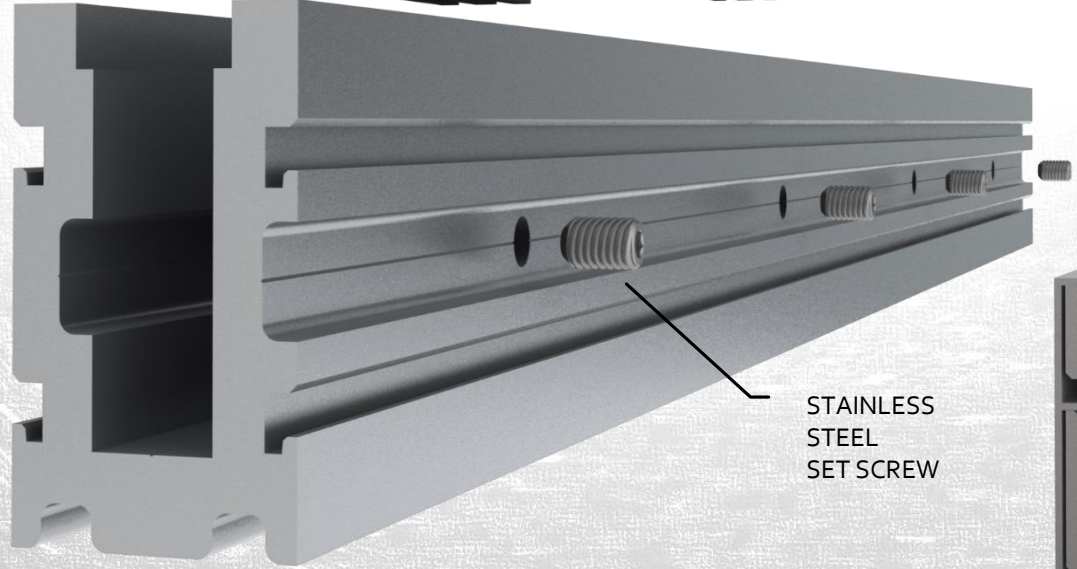
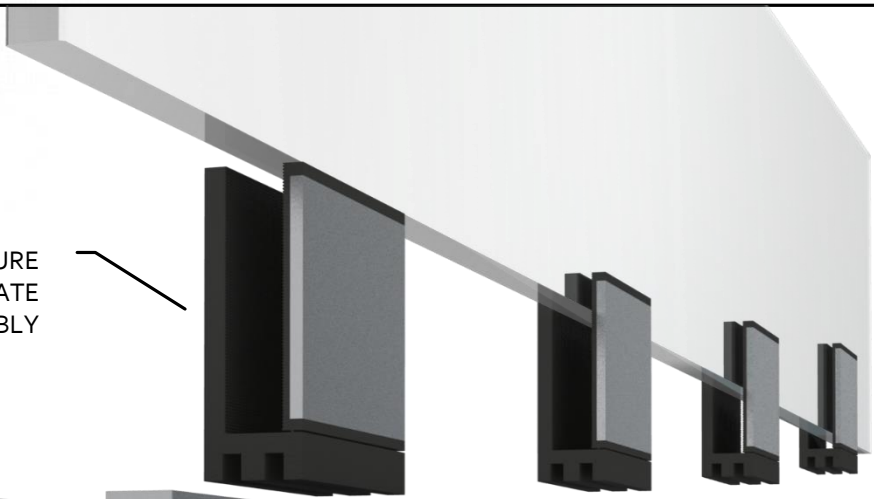
TYPICAL COMPONENTS



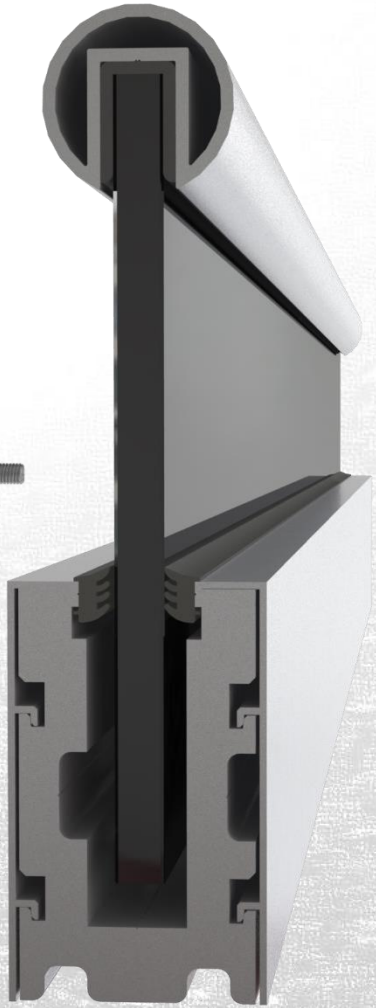
TYPICAL COMPONENTS MOUNTING PRESSURE PLATE



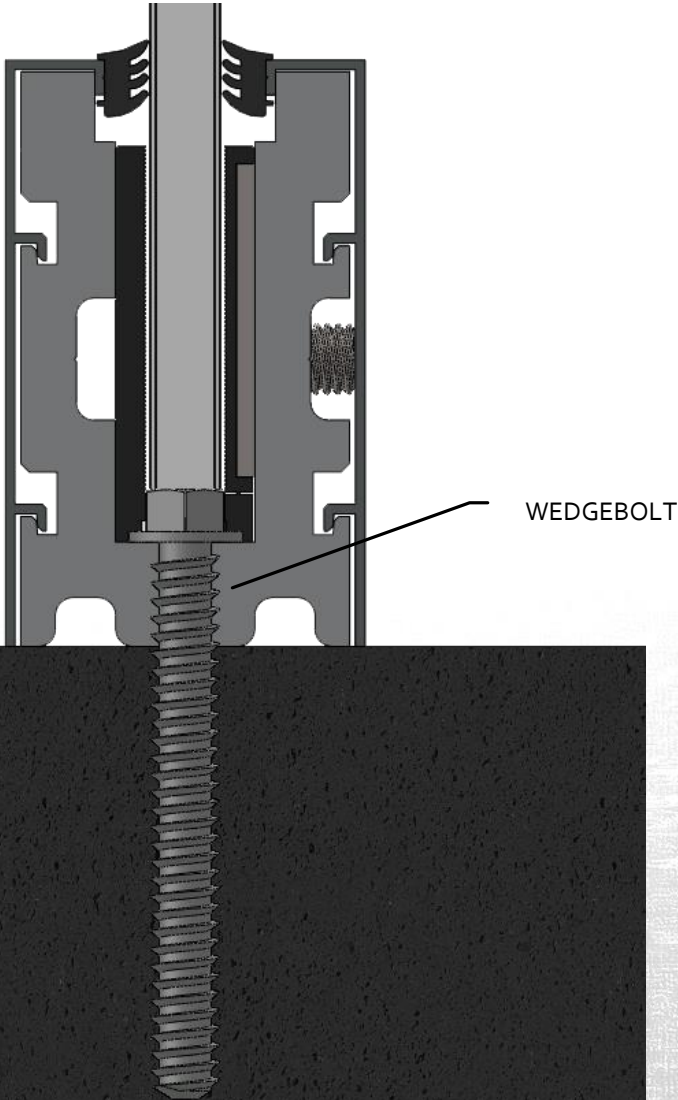
PRESSURE
PLATE
ASSEMBLY



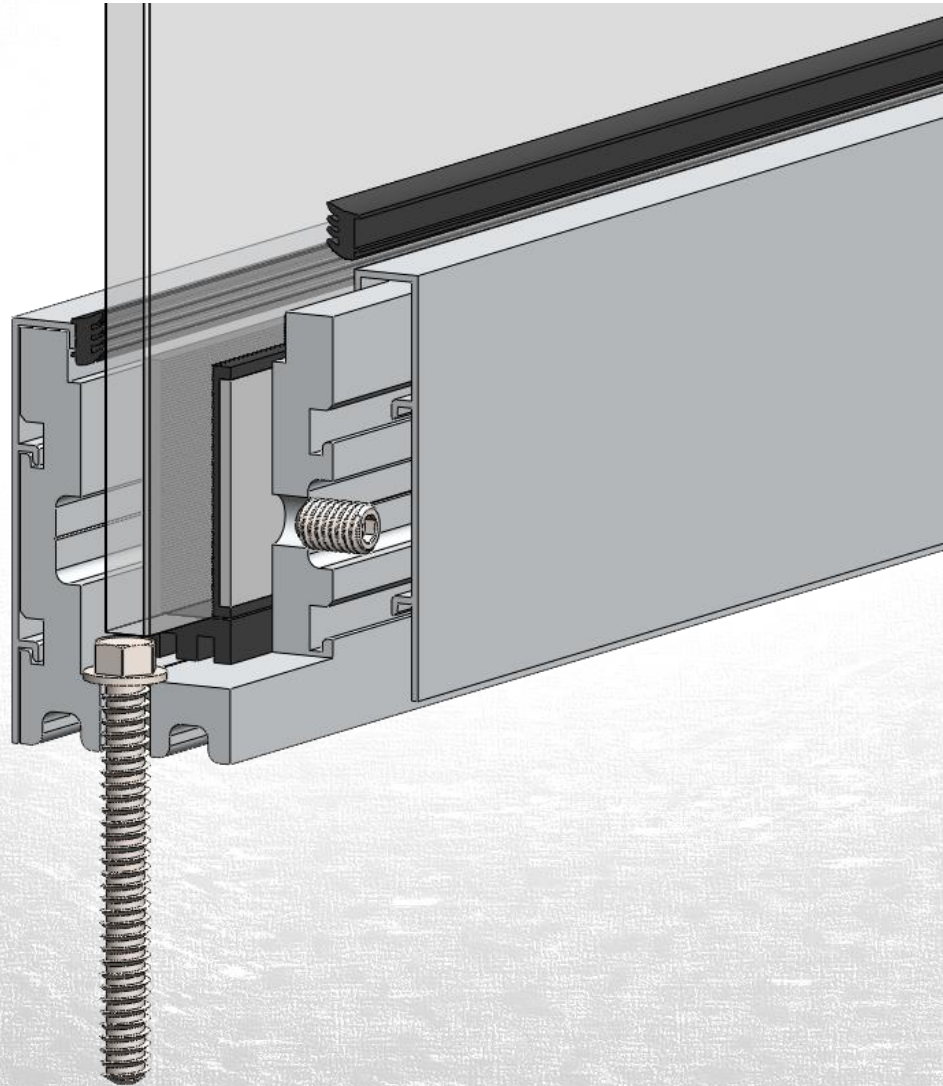
STAINLESS
STEEL
SET SCREW



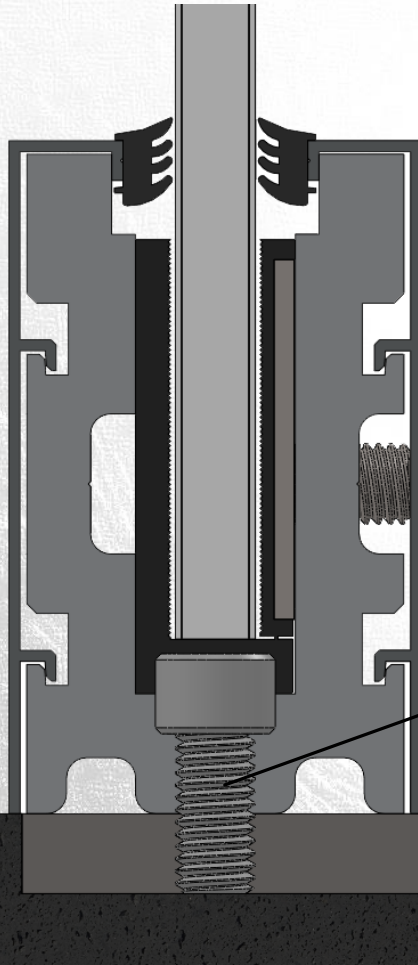
TYPICAL COMPONENTS WEDGE BOLT



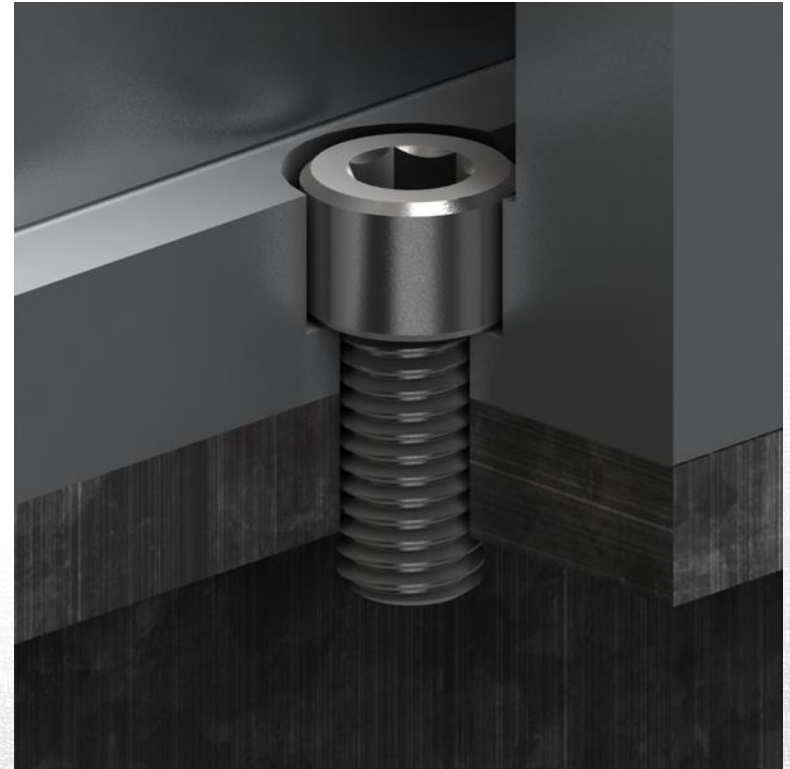
**TYPICAL
COMPONENTS – WEDGE BOLT**



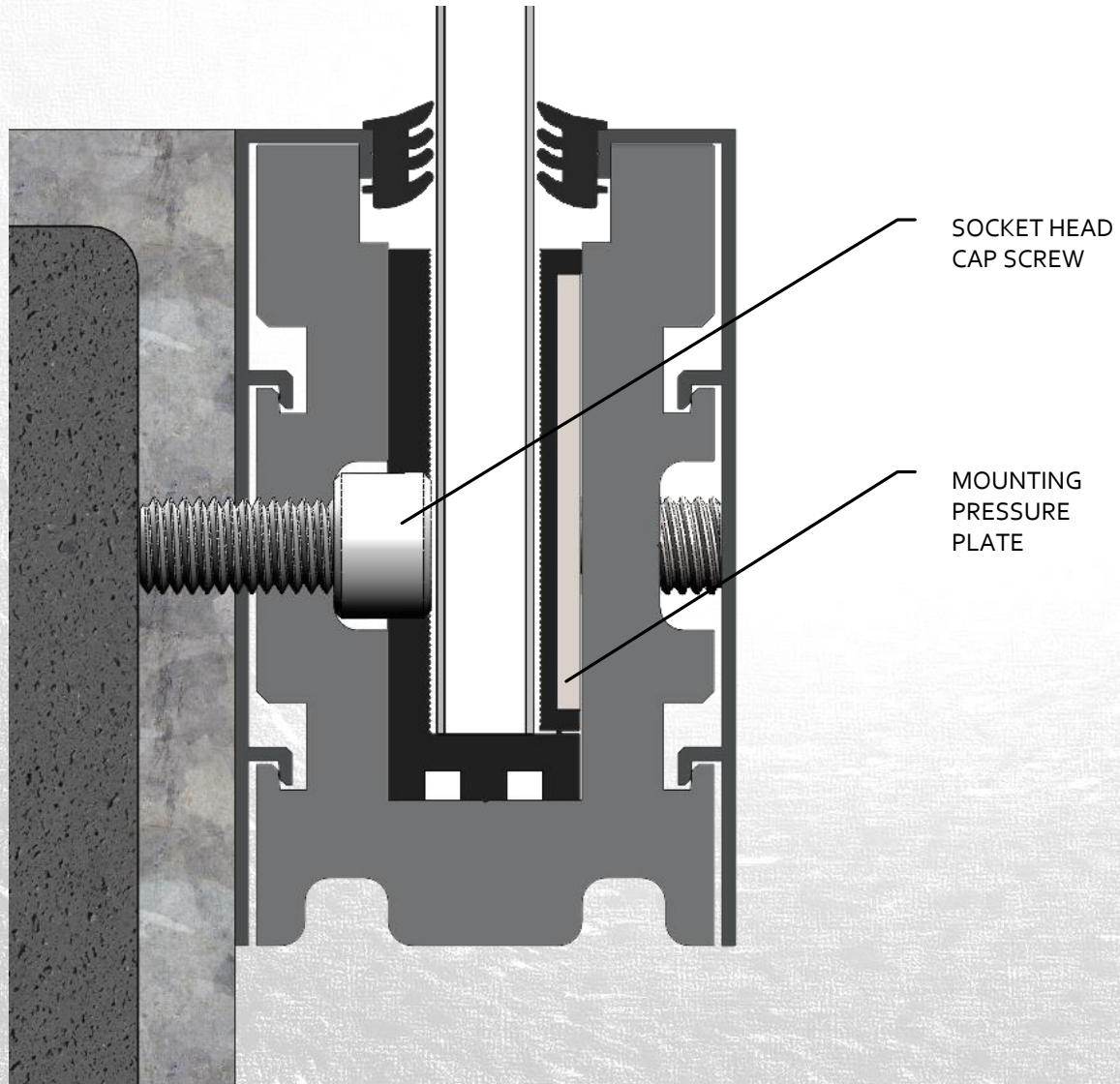
TYPICAL COMPONENTS – SOCKET HEAD CAP SCREW



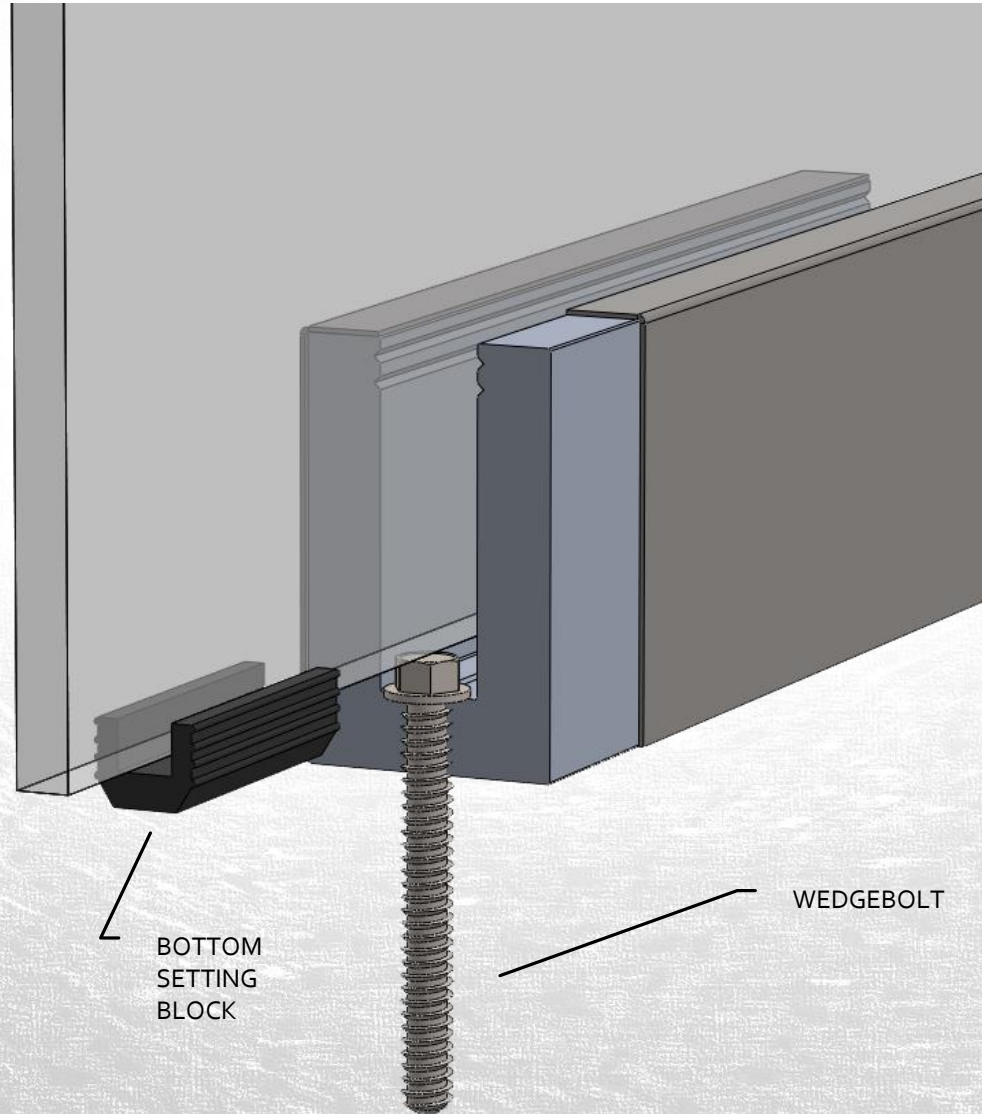
SOCKET HEAD
CAP SCREW



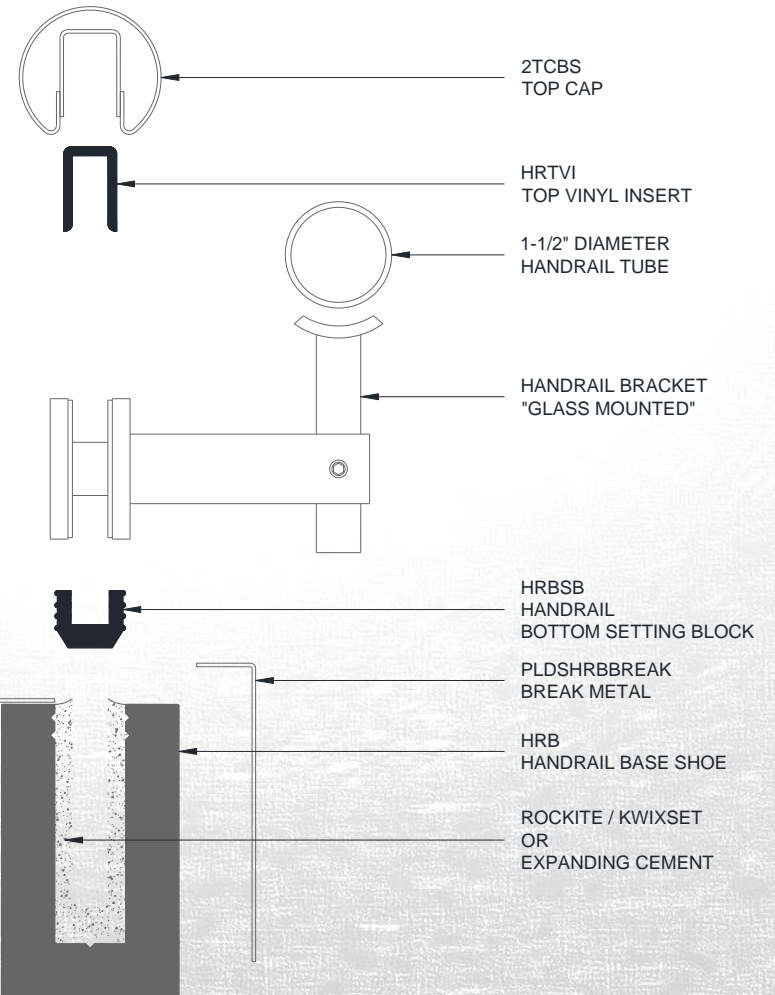
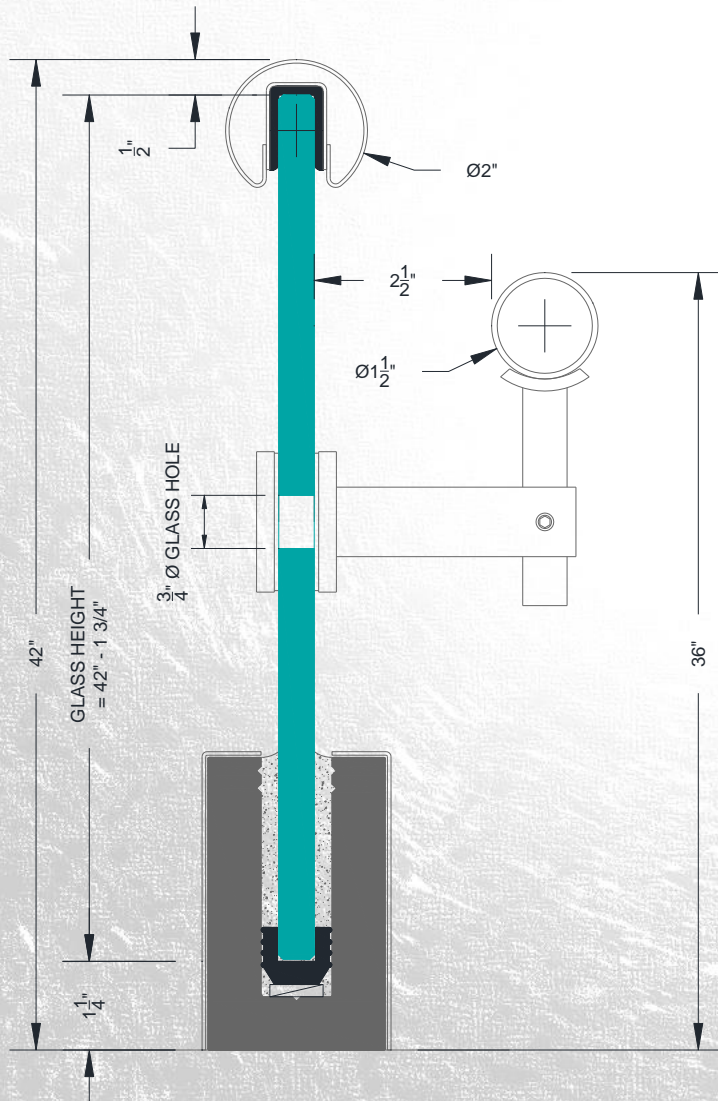
TYPICAL COMPONENTS – SOCKET HEAD CAP SCREW



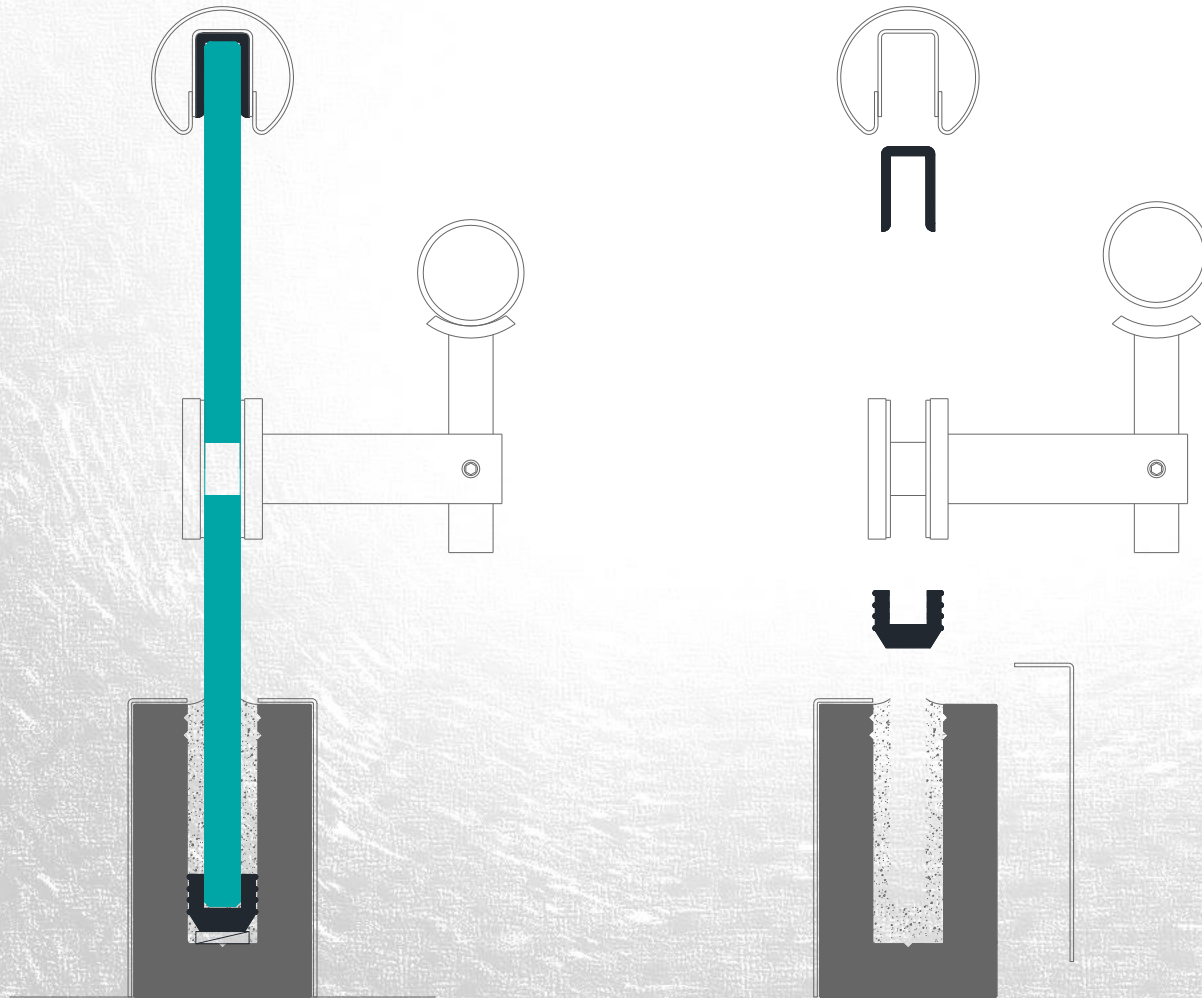
TYPICAL COMPONENTS



HRB TYPICAL COMPONENTS

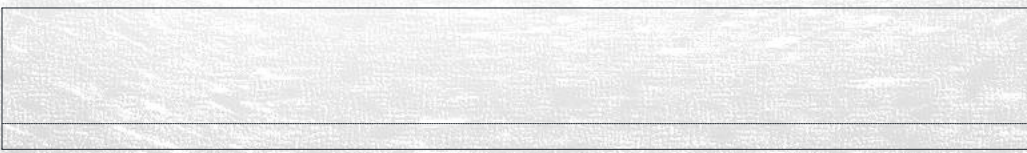
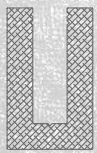
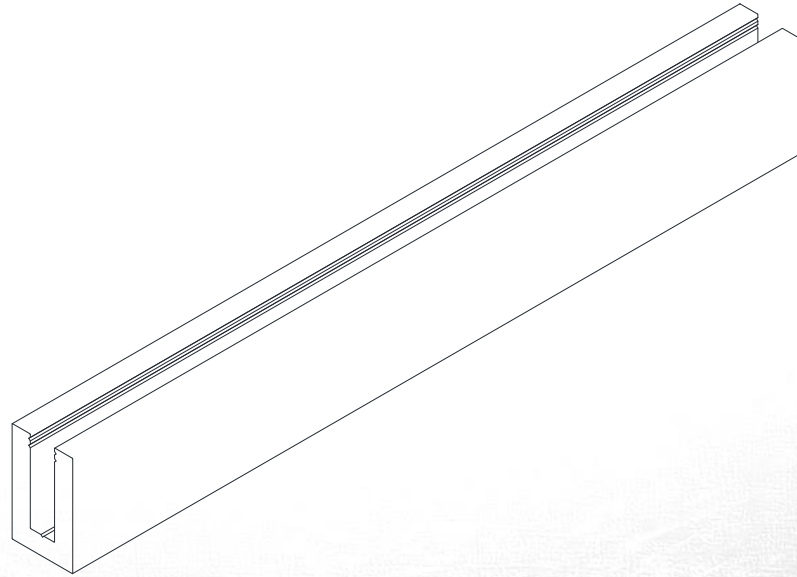
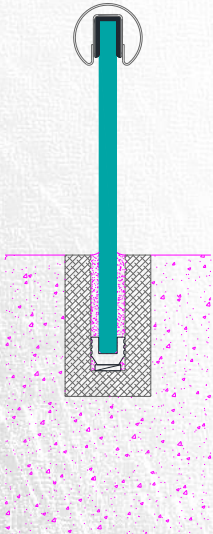


HRB TYPICAL MOUNTING OPTIONS



WET GLAZED STD. " TRADITIONAL "

UNDRILLED

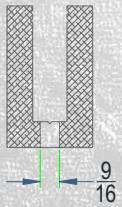
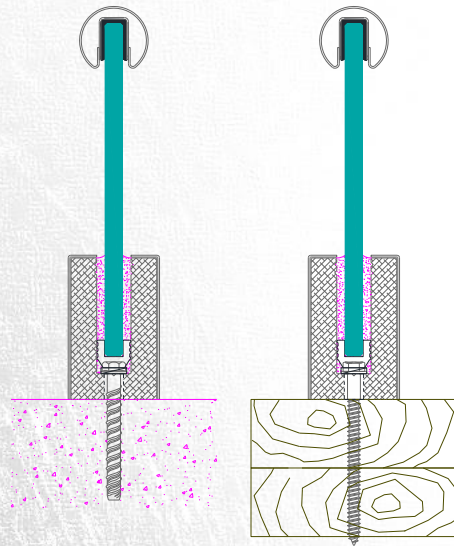


PLHRB	Undrilled	
-------	-----------	--

HOLE PATTERN: 9/16 DIA. THRU HOLE

WET GLAZED STD. " TRADITIONAL "

FLOOR MOUNTED
TO CONCRETE
OR WOOD

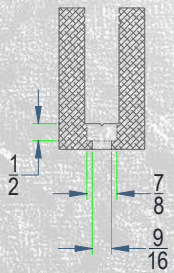
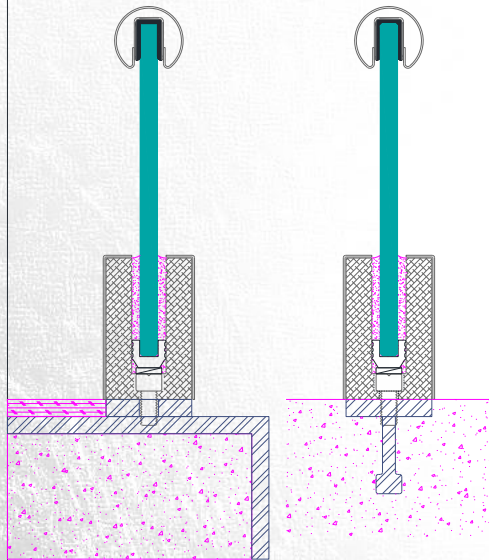


HRB	Floor Mounted	9/16	Thru Hole	Wet Glazed
-----	---------------	------	-----------	------------

HOLE PATTERN: COUNTERBORE

WET GLAZED STD. " TRADITIONAL "

FLOOR MOUNTED
TO WELD PLATE
OR STEEL STANCHION

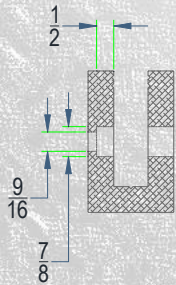
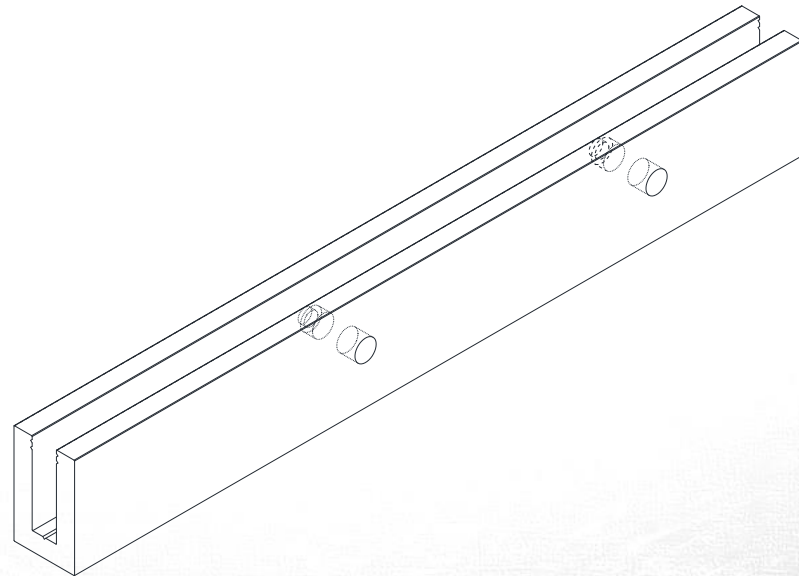
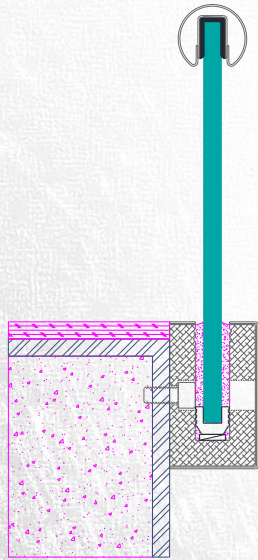


HRB	Floor Mounted	7/8 - 9/16	Counterbore Hole	Wet Glazed
-----	---------------	------------	------------------	------------

HOLE PATTERN: COUNTERBORE

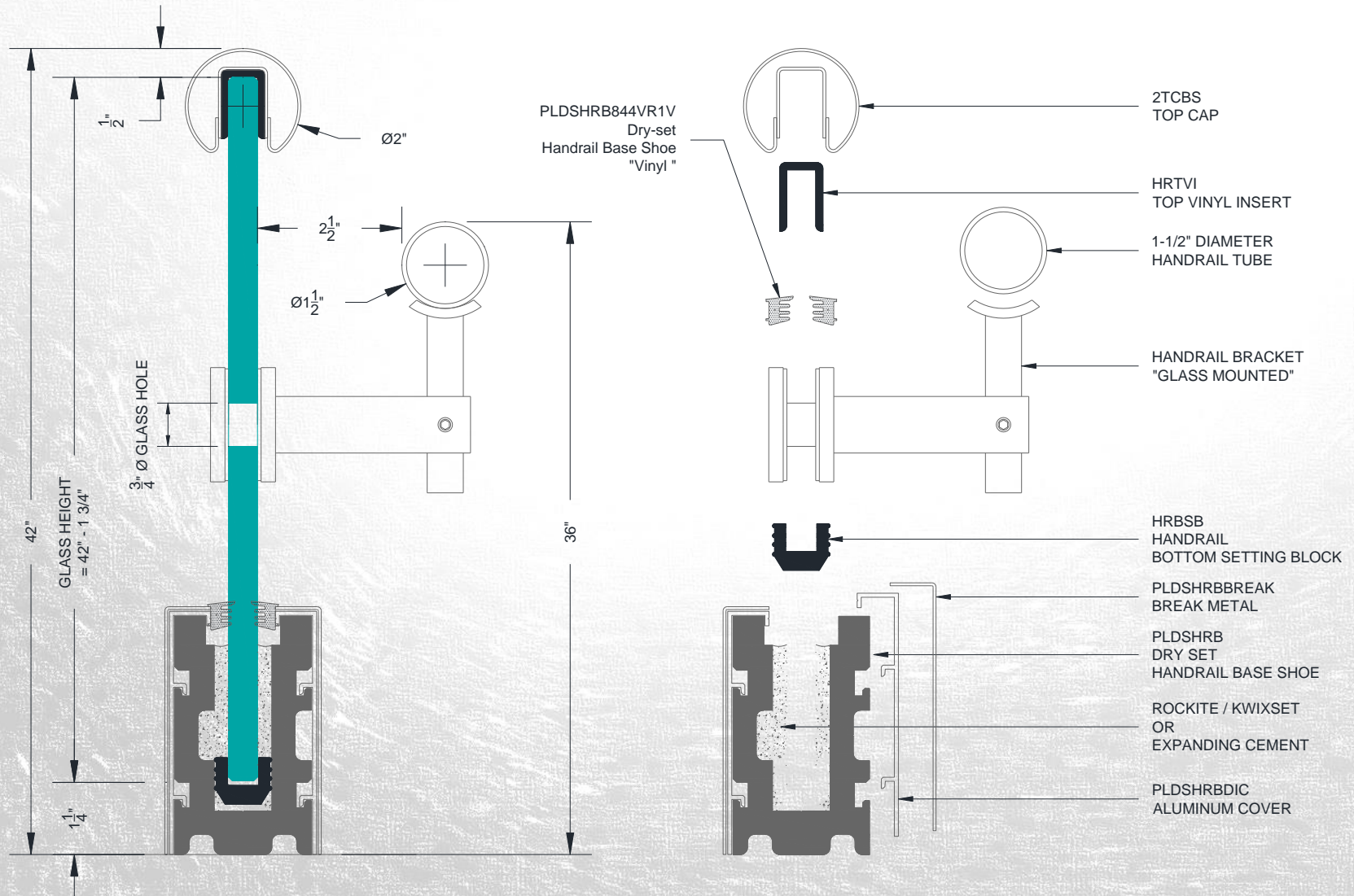
WET GLAZED STD. " TRADITIONAL "

SIDE MOUNTED
TO STEEL STRUCTURE

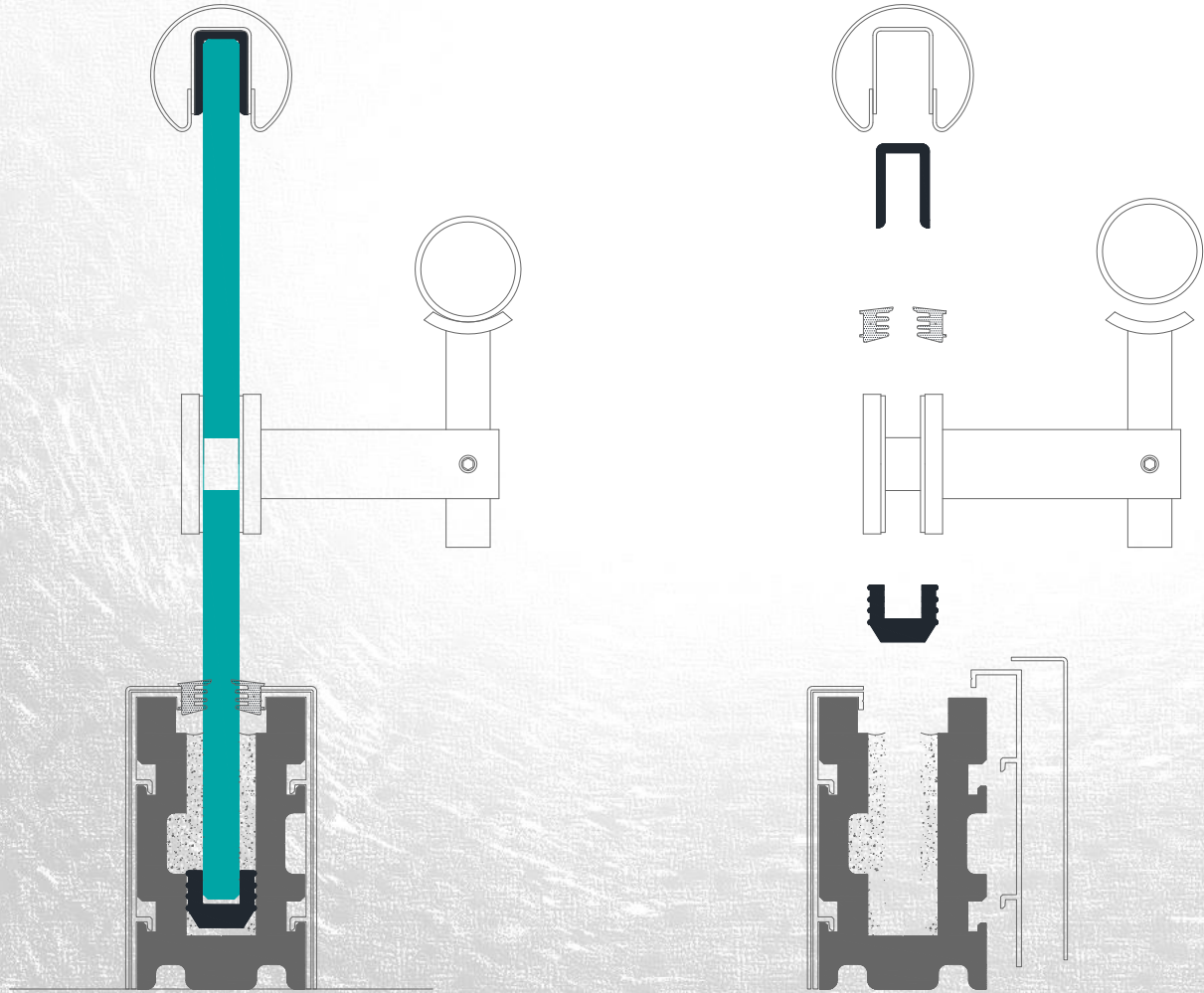


HRB	Side Mounted	7/8 - 9/16	Counterbore Hole	Wet Glazed
-----	--------------	------------	------------------	------------

PLDSHRB TYPICAL COMPONENTS WET GLAZED OPTION

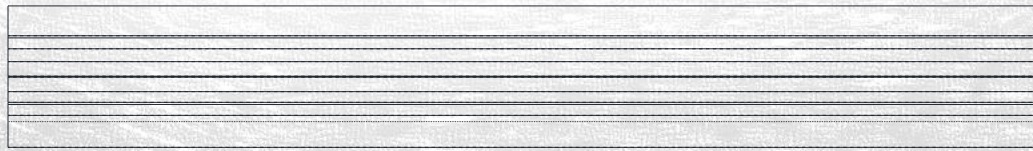
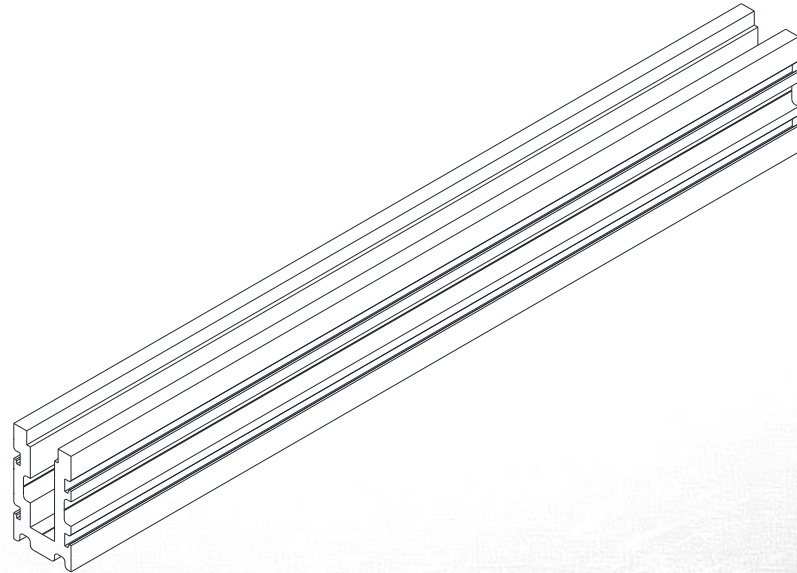
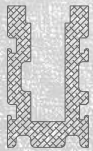
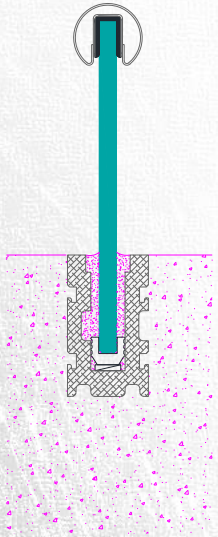


PLDSHRB TYPICAL MOUNTING OPTIONS



DRY GLAZED BASE SHOE > CEMENTED OPTION

UNDRILLED

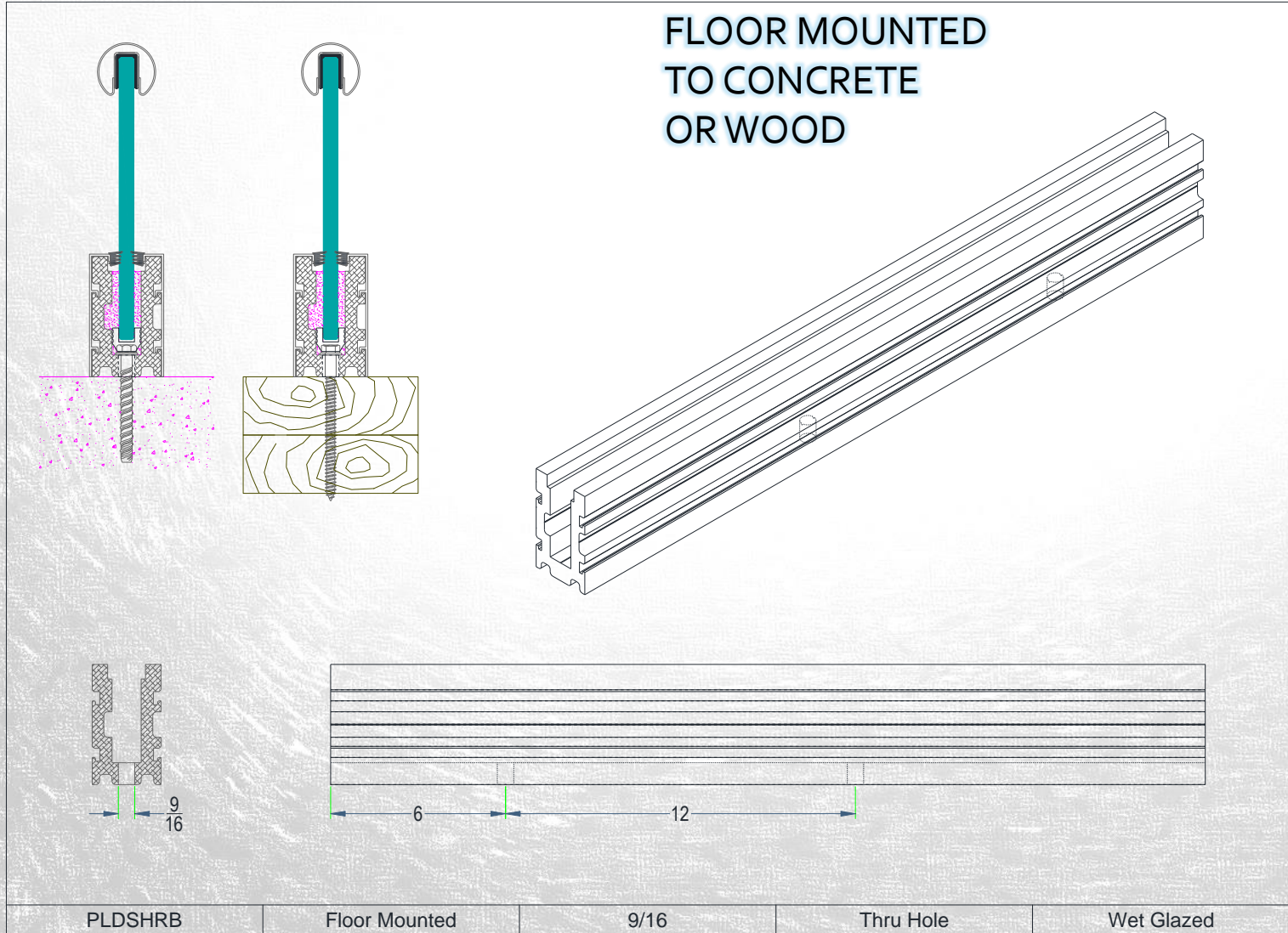


PLDSHRB

Undrilled

HOLE PATTERN: 9/16 DIA. THRU HOLE

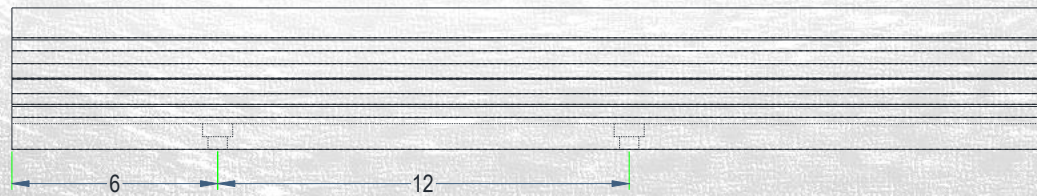
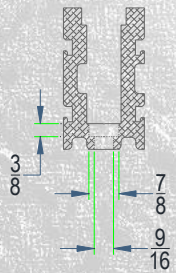
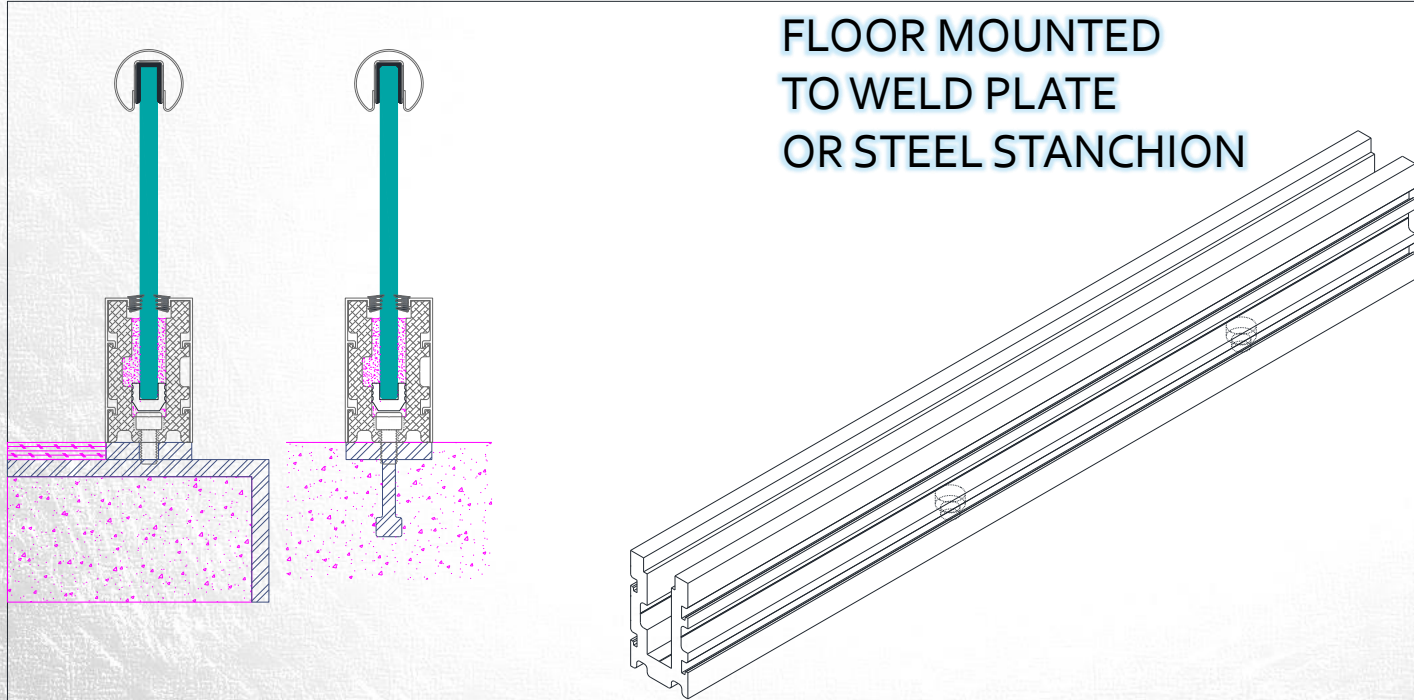
DRY GLAZED BASE SHOE > CEMENTED OPTION



HOLE PATTERN: COUNTERBORE

DRY GLAZED BASE SHOE > CEMENTED OPTION

FLOOR MOUNTED
TO WELD PLATE
OR STEEL STANCHION

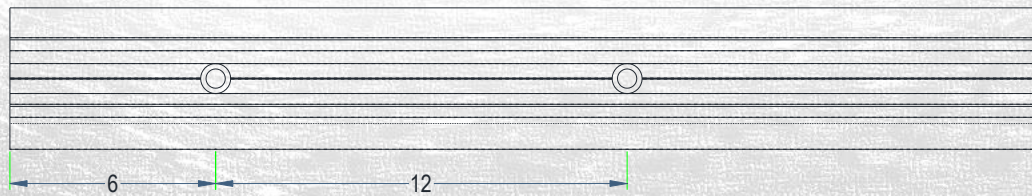
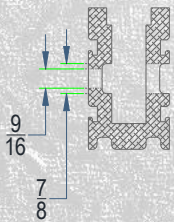
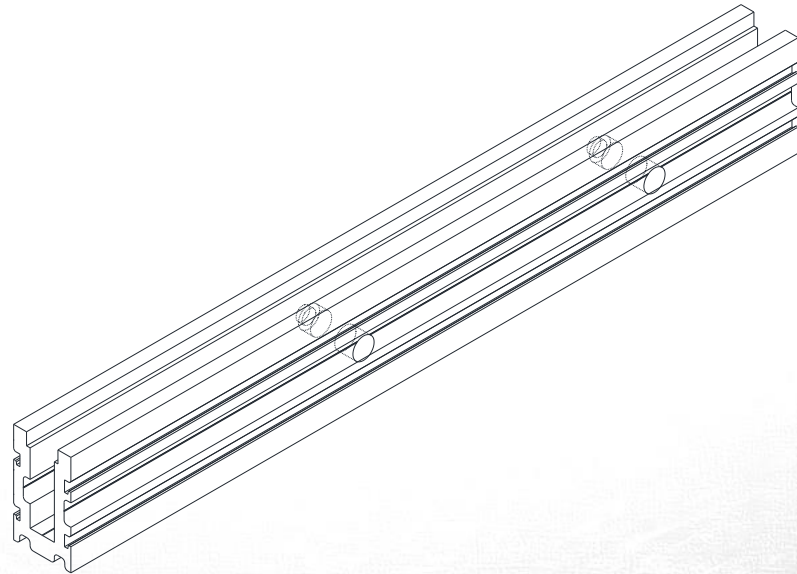
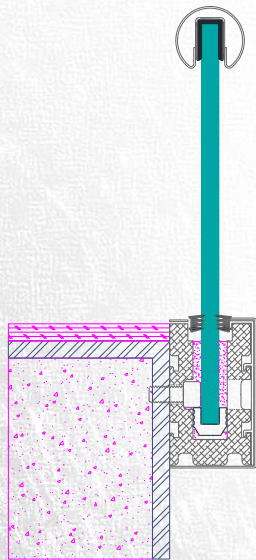


PLDSHRB	Floor Mounted	7/8 - 9/16	Counterbore Hole	Wet Glazed
---------	---------------	------------	------------------	------------

HOLE PATTERN: COUNTERBORE

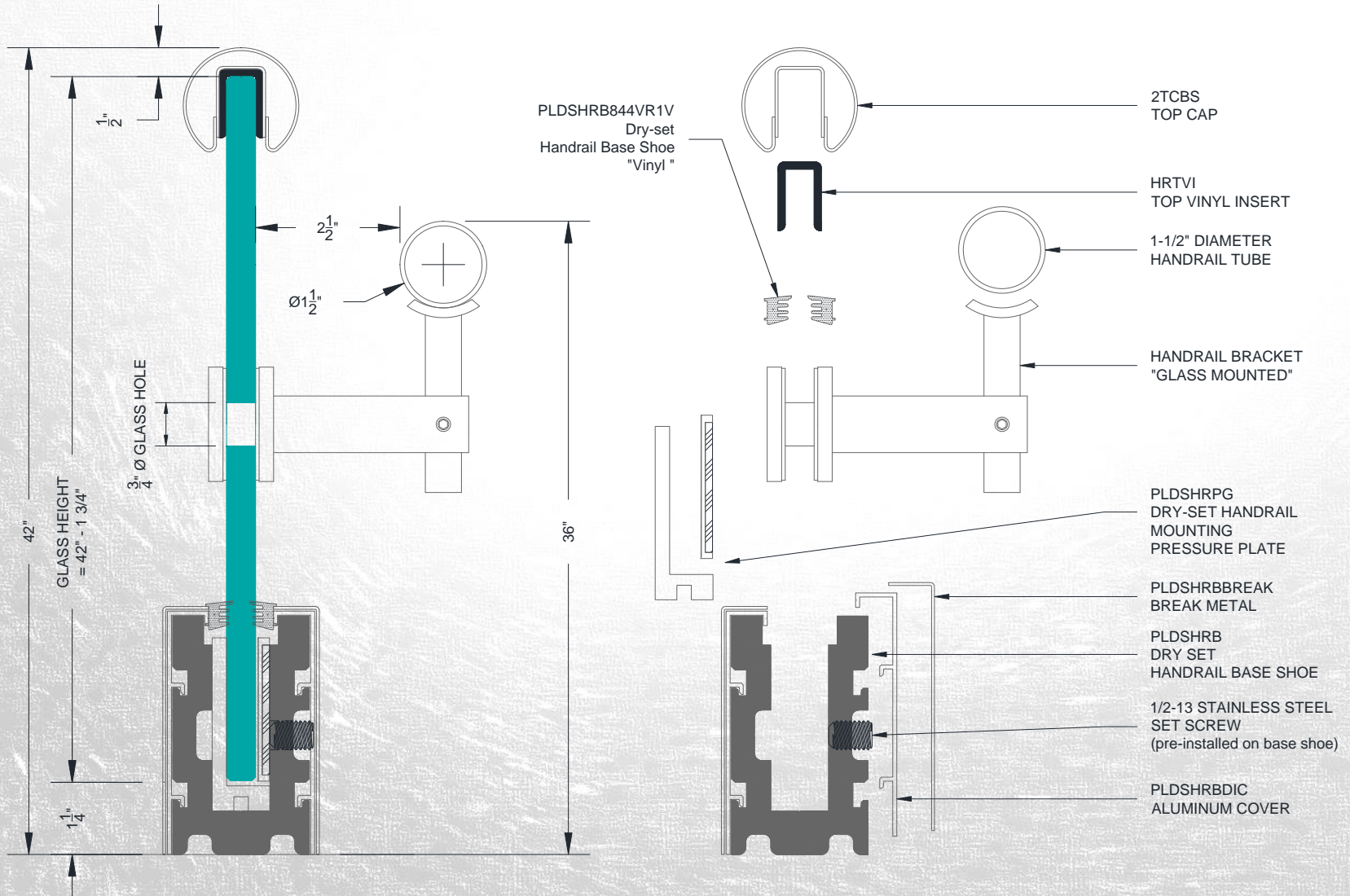
DRY GLAZED BASE SHOE > CEMENTED OPTION

SIDE MOUNTED
TO STEEL STRUCTURE

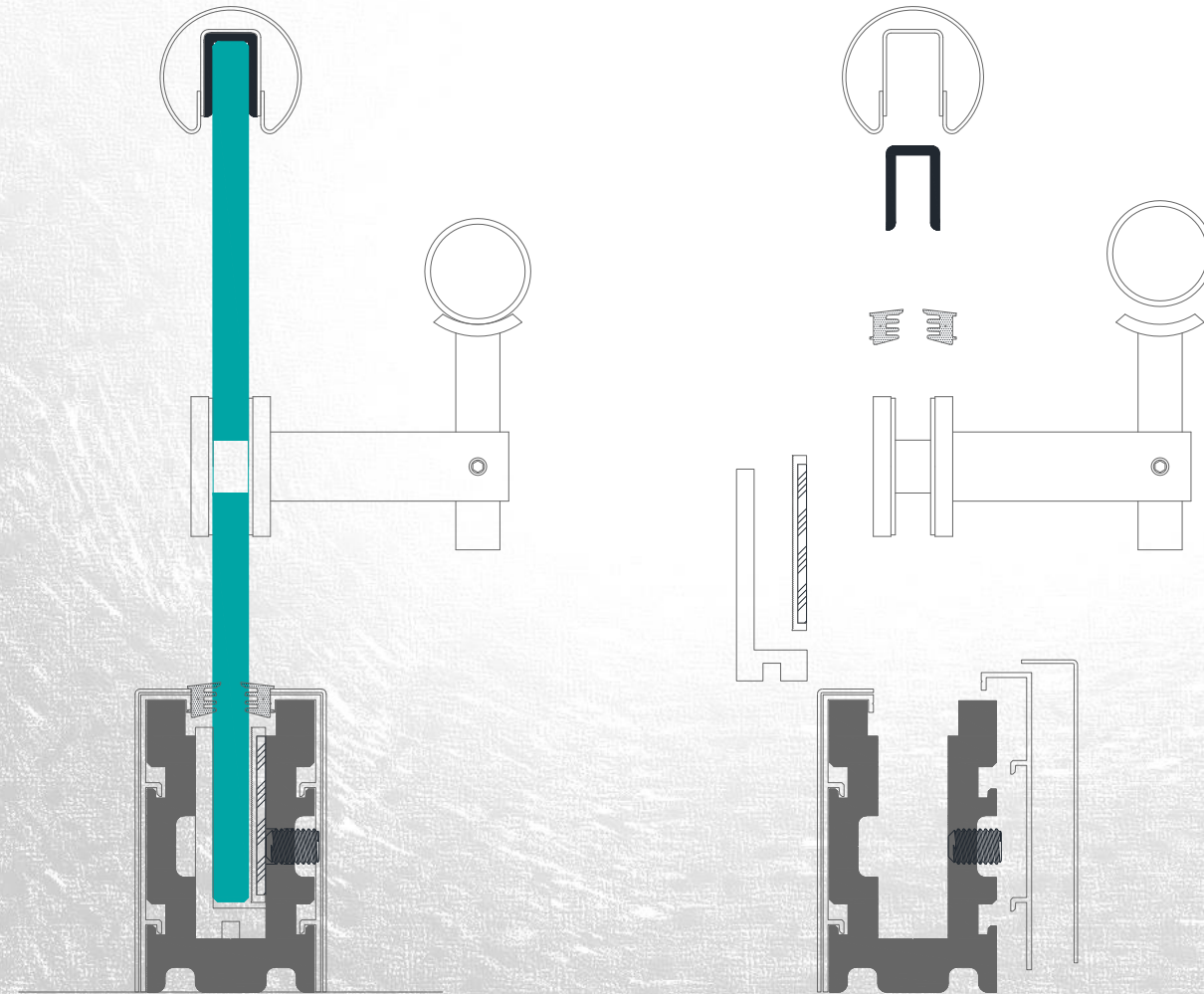


PLDSHRB	Side Mounted	7/8 - 9/16	Counterbore Hole	Wet Glazed
---------	--------------	------------	------------------	------------

PLDSHRB TYPICAL COMPONENTS DRY GLAZED OPTION (RAPID)

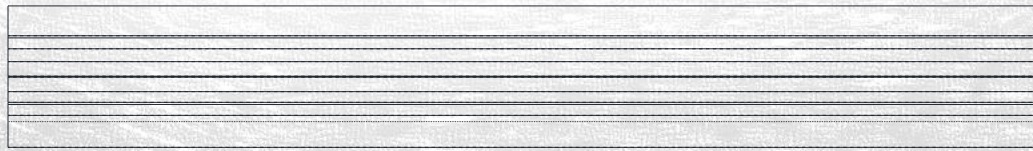
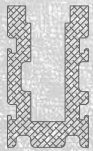
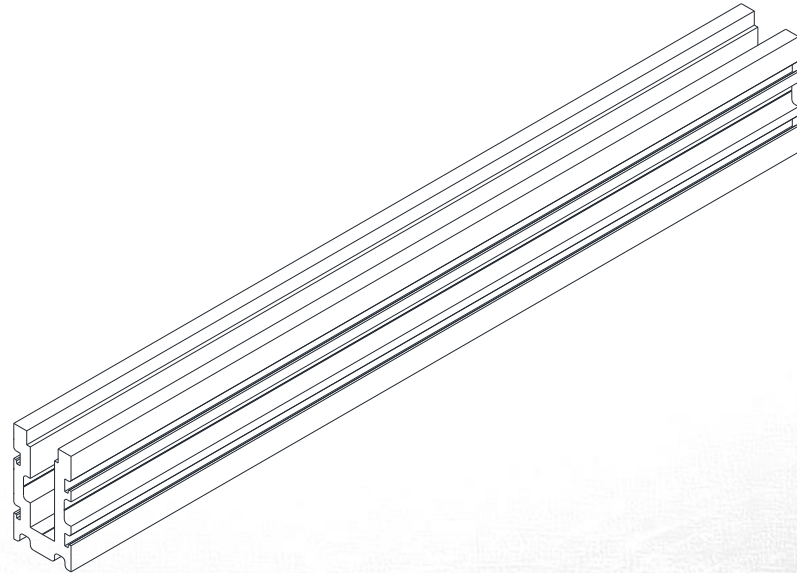
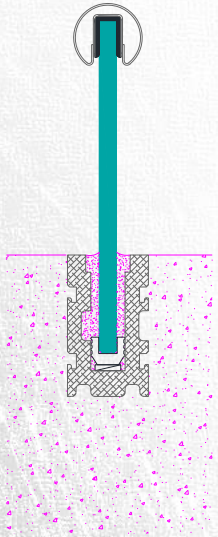


PLDSHRB TYPICAL MOUNTING OPTIONS



DRY GLAZED BASE SHOE "RAPID"

UNDRILLED

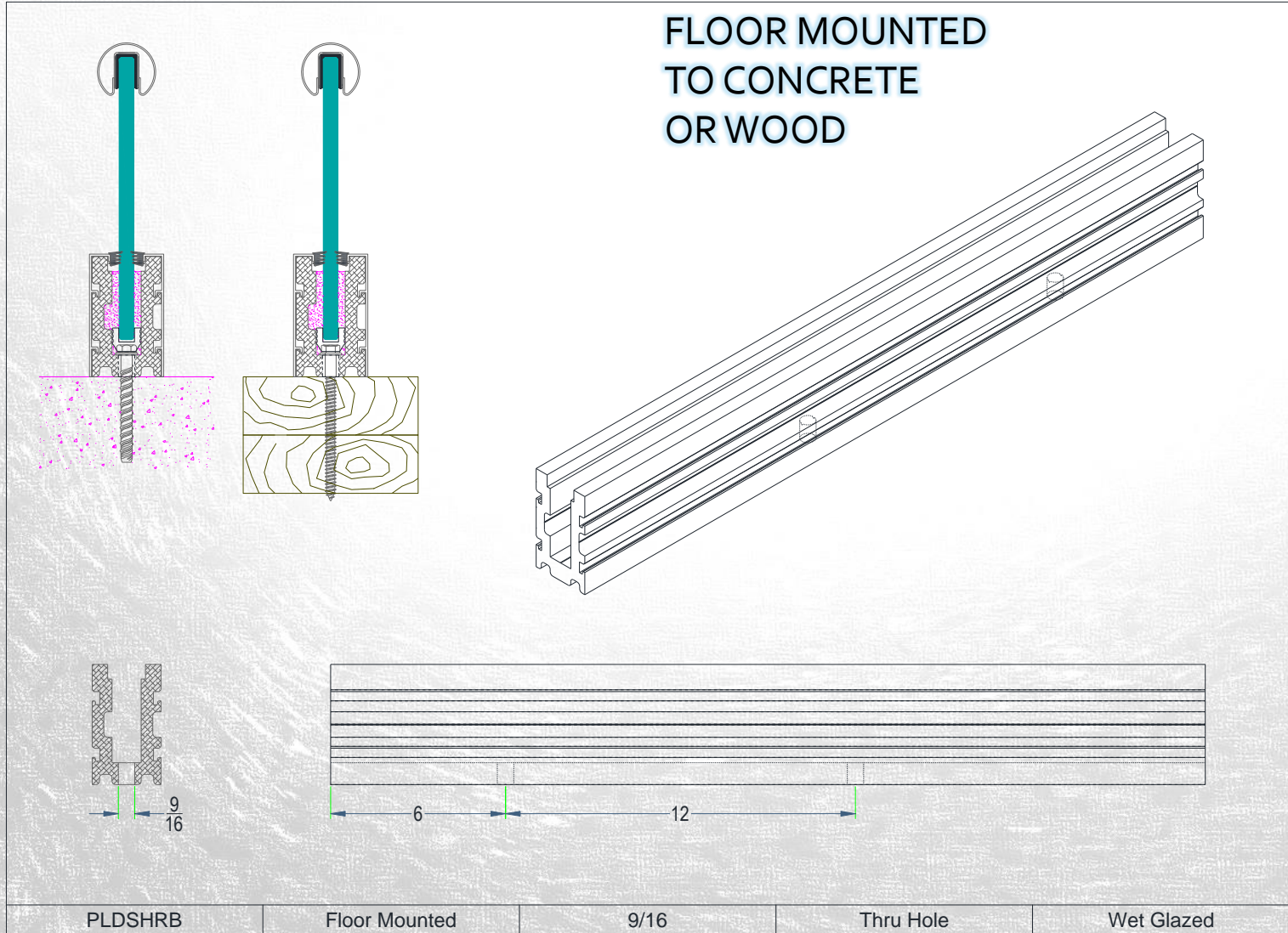


PLDSHRB

Undrilled

HOLE PATTERN: 9/16 DIA. THRU HOLE

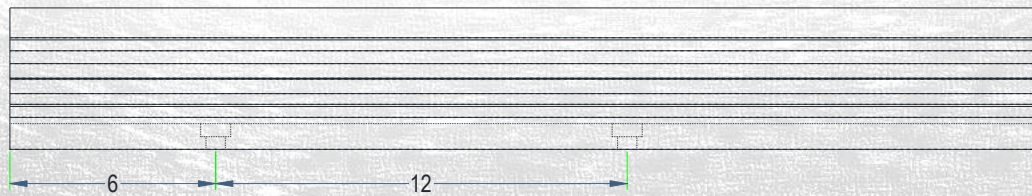
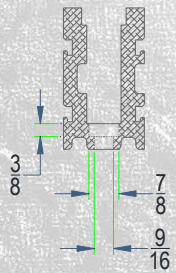
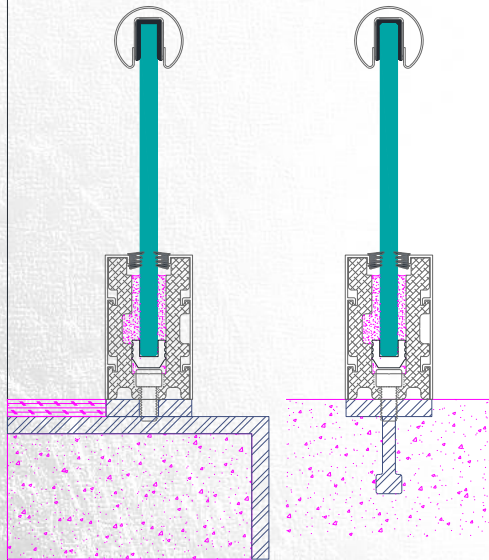
DRY GLAZED BASE SHOE "RAPID"



HOLE PATTERN: COUNTERBORE

DRY GLAZED BASE SHOE "RAPID"

FLOOR MOUNTED
TO WELD PLATE
OR STEEL STANCHION

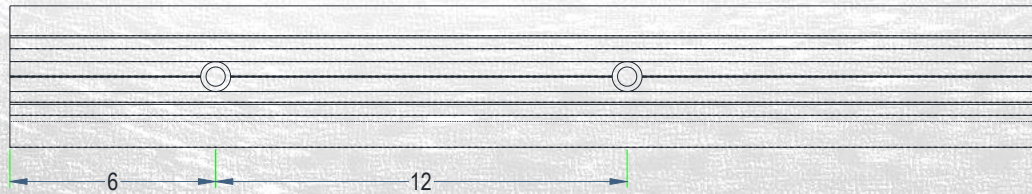
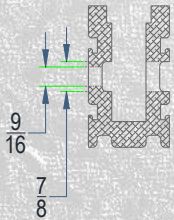
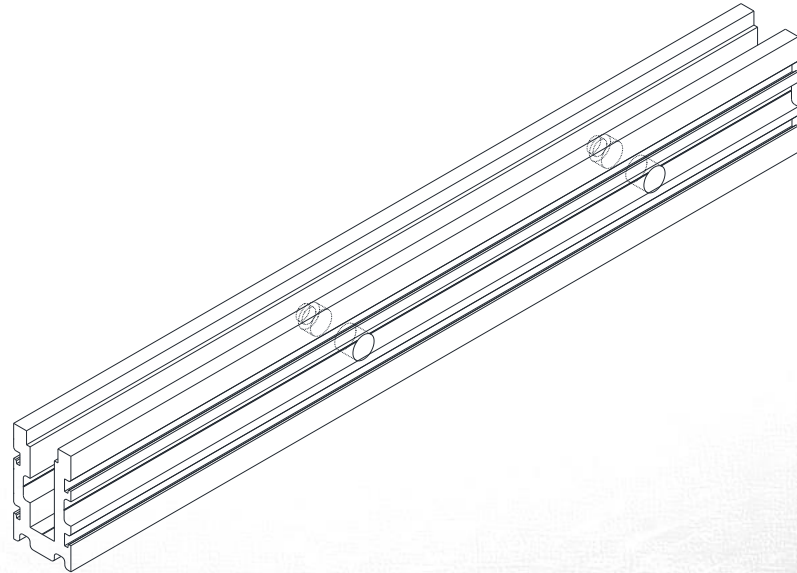
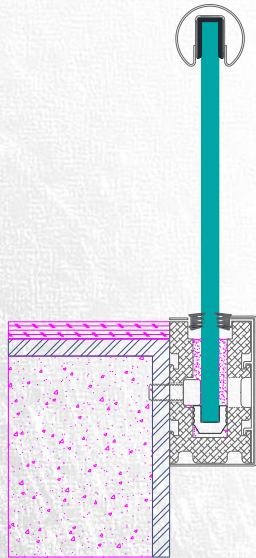


PLDSHRB	Floor Mounted	7/8 - 9/16	Counterbore Hole	Wet Glazed
---------	---------------	------------	------------------	------------

HOLE PATTERN: COUNTERBORE

DRY GLAZED BASE SHOE "RAPID"

SIDE MOUNTED
TO STEEL STRUCTURE



PLDSHRB	Side Mounted	7/8 - 9/16	Counterbore Hole	Wet Glazed
---------	--------------	------------	------------------	------------